



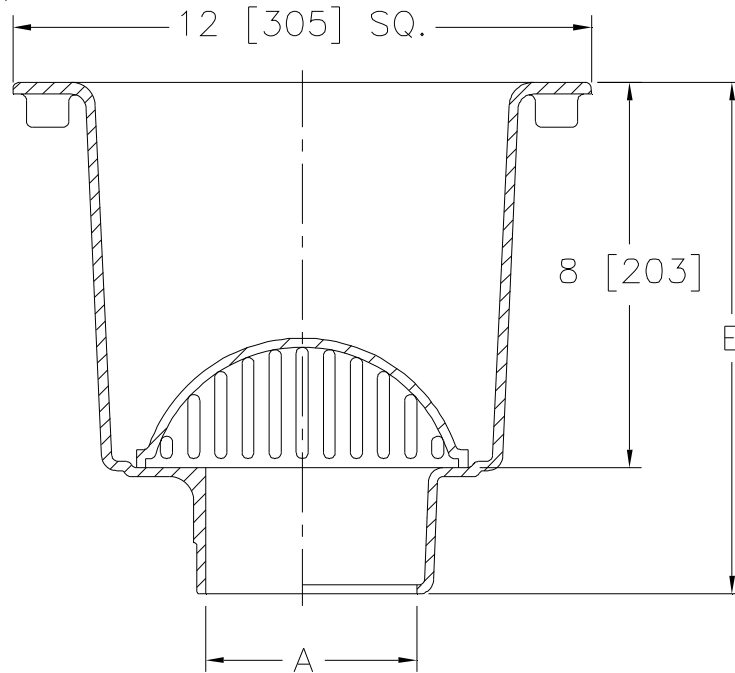
Z1901-1

12 X 12 [305 X 305] A.R.E. SANI-FLOOR RECEPTOR
8 [203] SUMP DEPTH LESS GRATE

SPECIFICATION SHEET

TAG _____

Dimensional Data (inches and [mm]) are Subject to Manufacturing Tolerances and Change Without Notice



A Pipe Size In. [mm]	Approx Wt. Lbs. [kg]
2, 3, 4 [51, 76, 102]	22 [10]

ENGINEERING SPECIFICATION: ZURN Z1901-1

Sani-Floor Receptor 12" x 12" x 8" [305mm x 305mm x 203mm] deep cast iron body less grate, with white acid resisting porcelain enamel interior and top, black ground enamel exterior coating, and white ABS anti-splash interior bottom dome strainer.

OPTIONS (Check/specify appropriate options)

PIPE SIZE

3, 4 [76, 102]
2, 3, 4 [51, 76, 102]
2, 3, 4 [51, 76, 102]

(Specify size/type) OUTLET

___ IC Inside Caulk
___ NH No-Hub
___ NL Neo-Loc

'E' BODY HT. DIMENSION

Z	ZN / ZS
10-5/8 [270]	11-1/8 [283]
10-5/8 [270]	11-1/8 [283]
10 [254]	10-1/2 [267]

PREFIXES

___ Z Cast Iron Body with White A.R.E. Interior*
___ ZN Cast Iron Body with White A.R.E. Interior, 12-1/2 [318] Square Nickel Bronze Frame
___ ZS Cast Iron Body with White A.R.E. Interior, 12-1/2 [318] Square Stainless Steel Frame

SUFFIXES

___ -DX Dex-O-Tex Flange (ZN Only)	___ -23 Aluminum Bucket
___ -K Anchor Flange	___ -25 White A.R.C. Bucket
___ -KC Anchor Flange with Seepage Holes and Clamp Collar	___ -31 Stainless Steel Mesh Liner for Bucket
___ -LD (Less) Bottom Dome Strainer	___ -32 Aluminum Dome Strainer
___ -P 1/2 [13] Trap Primer Connection (See Z1023)	___ -33 White A.R.C. Anti-Splash Bottom Dome Strainer
___ -TC Neo-Loc Test Cap Gasket (2, 3, 4 [51, 76, 102] NL Bottom Outlet Only)	
___ -VPS Vandal-Proof Strainer	

* Regularly furnished unless otherwise specified.

Zurn Industries, LLC | Specification Drainage Operation
1801 Pittsburgh Avenue, Erie, PA U.S.A. 16502 · Ph. 855-663-9876, Fax 814-454-7929
In Canada | Zurn Industries Limited
3544 Nashua Drive, Mississauga, Ontario L4V 1L2 · Ph. 905-405-8272, Fax 905-405-1292
www.zurn.com

Rev. D
Date: 10/11/2017
C.N. No. 138625
Prod. | Dwg. No. Z1901-1