



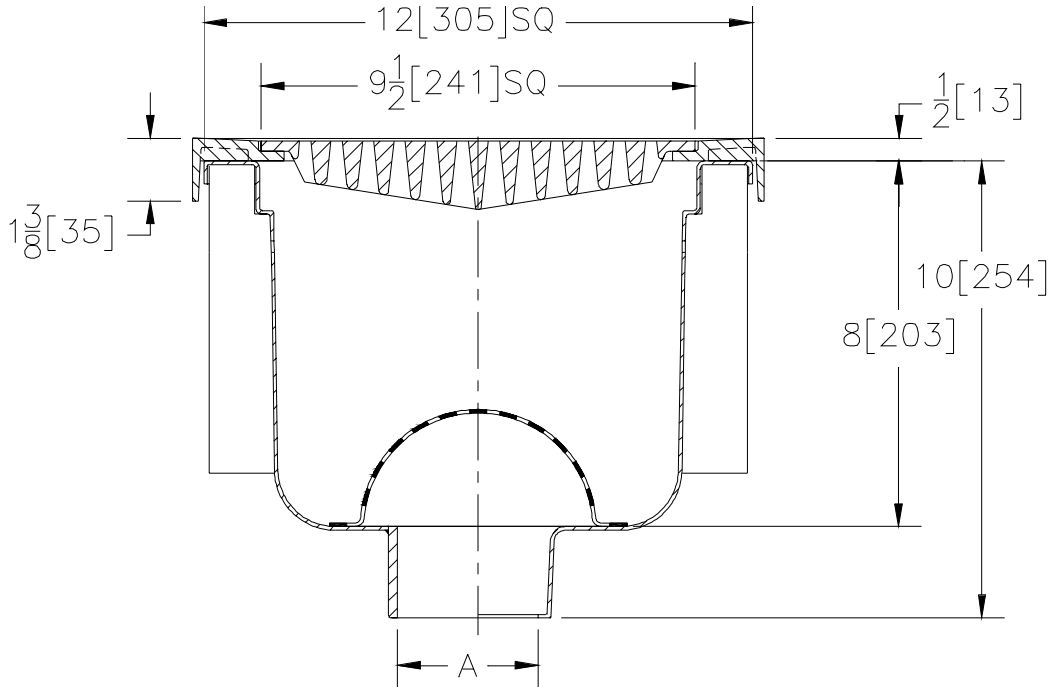
# Z-1751-108

12 x 12 SANI-FLOR RECEPTOR  
8" SUMP DEPTH WITH CAST STAINLESS STEEL  
HEAVY DUTY FRAME AND GRATE

SPECIFICATION SHEET

TAG \_\_\_\_\_

Dimensional Data (inches and [ mm ]) are Subject to Manufacturing Tolerances and Change Without Notice



A- Pipe Size In.	Approx. Wt. Lbs. [kg]	Grate Open Area Sq. In. [cm <sup>2</sup> ]
2-3-4 [50-75-100]	21 [10]	21 [135]

**ENGINEERING SPECIFICATION:** ZURN Z-1751-108 12 [305] x 12 [305] x 8 [203] deep, 14 gage, All Type 304 (CF8) Stainless Steel Sani-Flor receptor with cast stainless steel heavy duty top frame and slotted grate, anti-splash interior dome strainer and reinforced sidewalls.

**OPTIONS** (Check/specify appropriate options)

**OUTLET** (Specify type)

- \_\_\_ IC Inside Caulk
- \_\_\_ NH No-Hub

**PIPE SIZE** (Specify size)

- \_\_\_ 3, 4 [76, 101]
- \_\_\_ 2 [51] thru 4 [101]

**PREFIXES**

- \_\_\_ Z- Type 304 (CF8) Stainless Steel

**SUFFIXES**

- \_\_\_ -AR Acid Resisting Epoxy Coated Interior
- \_\_\_ -K Seepage Pan
- \_\_\_ -KC Seepage Pan with Clamp Collar
- \_\_\_ -P 1/2 [13] Trap Primer Connection
- \_\_\_ -Y Sediment Bucket
- \_\_\_ -YS Suspended Sediment Bucket
- \_\_\_ -1 Less Grate
- \_\_\_ -2 1/2 Grate
- \_\_\_ -3 3/4 Grate
- \_\_\_ -4 Full Grate with 3 [76] Square Center Opening
- \_\_\_ -5 Grate w/4 [102] Dia. x 3 3/4 [95] High 304 S.S. Funnel
- \_\_\_ -8 Grate w/8 7/8 [225] x 3 5/8 [92] x 3 3/4 [95] High 304 S.S. Oval Funnel
- \_\_\_ -15 Solid Cover
- \_\_\_ -16 1/2 Solid Cover
- \_\_\_ -17 3/4 Solid Cover
- \_\_\_ -18 Solid Cover w/3 [76] Square Center Opening

REV. DATE: 3/9/98 C.N. NO. 79992

DWG. NO. P-14601 PRODUCT NO. Z-1751-108