

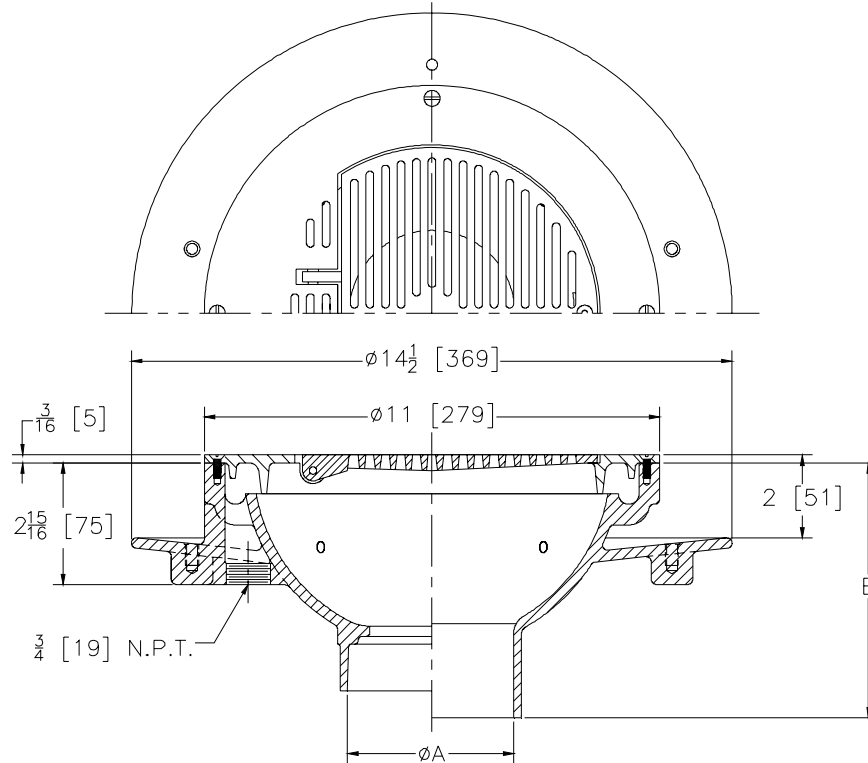


Z310-83 THOROFLUSH DRAIN W/ STAINLESS STEEL TOP

SPECIFICATION SHEET

TAG _____

Dimensional Data (inches and [mm]) are Subject to Manufacturing Tolerances and Change Without Notice



A Pipe Size	Approx. Wt. Lbs. [kg]	Grate Open Area Sq. In. cm ²
2-3-4-6 [51-76-102-152]	20 [9]	18 [116]

ENGINEERING SPECIFICATION: ZURN Z310-83
11 [279] Top Thoroflush Drain, cast iron body with white acid resistant epoxy coated exterior and interior, bottom outlet with seepage pan, stainless steel flushing rim top and slotted hinged grate.

OPTIONS (Check/specify appropriate options)

PIPE SIZE

- 2-3-4-6 [51-76-102-152]
- 2-3-4 [51-76-102]
- 6 [152]
- 2-3-4 [51-76-102]

(Specify size/type) **OUTLET**

- ___ NH No-Hub
- ___ IP Threaded
- ___ IP Threaded
- ___ NL Neo-Loc

'E' BODY HT. DIM.

- 6 1/8 [156]
- 5 1/2 [140]
- 4 1/2 [114]
- 5 3/4 [146]

PREFIXES

- ___ ZS Cast Iron Body w/ A.R.C. Interior and Exterior w/ Polished Stainless Steel Top*

SUFFIXES

- ___ -C Clamping Collar
- ___ -FG Free Set Grate
- ___ -NE Spark Proof Non-Conductive Top
- ___ -TC Neo-Loc Test Cap Gasket (2 [51]-4 [102] NL Bottom Outlet Only)
- ___ -VP Vandal-Proof Screws In Frame
- ___ -WB Water Supply Control Box (See Z1464)

*REGULARLY FURNISHED UNLESS OTHERWISE SPECIFIED

REV.	DATE: 9/1/09	C.N. NO. 110143
DWG. NO. P-15754	PRODUCT NO. Z310-83	

ZURN INDUSTRIES, LLC ♦ SPECIFICATION DRAINAGE OPERATION ♦ 1801 Pittsburgh Ave. ♦ Erie, PA 16514

Phone: 814/455-0921 ♦ Fax: 814/454-7929 ♦ World Wide Web: www.zurn.com

In Canada: ZURN INDUSTRIES LIMITED ♦ 3544 Nashua Drive ♦ Mississauga, Ontario L4V1L2 ♦ Phone: 905/405-8272 Fax: 905/405-1292