



Z887-24-HD-LD

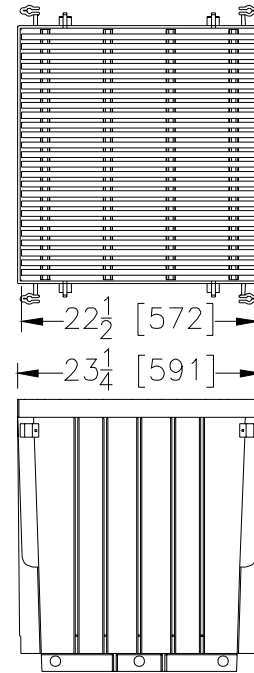
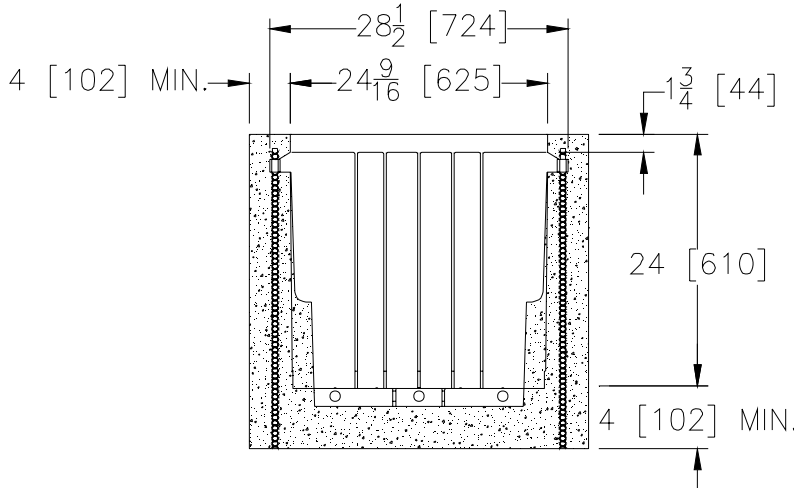
SPECIFICATION SHEET

23-1/4 [591] WIDE REVEAL x 24-5/8 [625] LONG CATCH TAG _____
BASIN W/HEAVY-DUTY FRAME & LIGHT-DUTY GRATE

Dimensional Data (inches and [mm]) are Subject to Manufacturing tolerances and Change Without Notice

SPECIFYING ENGINEER IS RESPONSIBLE FOR CONCRETE ENCASEMENT AND REINFORCING BASED UPON APPLICATION AND LOCAL CODES

NOTE: + Actual Channel length is 20³/₄ [527].



ENGINEERING SPECIFICATION Zurn Z887-24-HD-LD

Catch Basin shall be 23-1/4 [591] wide reveal x 24-5/8 [625] long and 24 [610] deep. Catch basin shall be made of 0% water absorbent High Density Polyethylene (HDPE). Shall mechanically lock into the concrete surround. Basin shall weigh less than 20.0 lbs. [9.1 kg]. Catch basin shall have rebar clips standard to secure basin in its final location. Shall be provided with standard RFG grates that lock down to frame. Zurn 22-1/4 [565] wide reveal Reinforced Galvanized Steel Slotted Grate Reinforcing conforming to ASTM specification A536-84, Grade 80-55-06. Fabricated steel grate is rated class B per the DIN EN1433 top load classifications. Supplied in 24 [608] nominal lengths with 3/8 [9] wide slots, and 3/4 [19] bearing depth. The 1/4 [6] thick Heavy-Duty Frame Assembly conforms to either ASTM specification A36 or A536-84, with 4 - 4 [102] long concrete anchors per basin. Frame supplied with powder coated finish. All welds must be performed by a certified welder per ASTM standard AWS D1.1. Frames Shall be produced in the U.S.A.. System loading is based on grate being used.

PREFIX OPTIONS (Check/specify appropriate options)

___ Z High Density Polyethylene (HDPE) Catch Basin with Heavy-Duty Frame*

SUFFIX OPTIONS (Check/specify appropriate options)

Adapters

- | | | | |
|------------|--|---------|----------------------|
| ___ -E3/U3 | 3 [76] No-Hub End/Bottom Outlet Adapter | ___ -IA | Inlet Adapter (Z886) |
| ___ -E4/U4 | 4 [102] No-Hub End/Bottom Outlet Adapter | ___ -IA | Inlet Adapter (Z882) |
| ___ -E6/U6 | 6 [152] No-Hub End/Bottom Outlet Adapter | | |

Grate Options (Load Classifications are per DIN EN1433)

- ___ -GG Fiberglass Grate - Class A

Miscellaneous Options

- ___ -EXT 12 [305] Body Extension
___ -Y Sediment Bucket

MADE in the U.S.A. (Load Classifications are per DIN EN1433)

- ___ -FG Galvanized Steel Slotted Grate - Class A
 ___ -FS Stainless Steel Slotted Grate - Class A
 ___ -PG Galvanized Perforated Grate - Class A
 ___ -PS Stainless Steel Perforated Grate - Class A
 ___ -RFG Reinforced Galvanized Steel Slotted Grate - Class B
 ___ -RFS Reinforced Stainless Steel Slotted Grate - Class B
 ___ -RPG Reinforced Galvanized Perforated Grate - Class B
 ___ -RPS Reinforced Stainless Steel Perforated Grate - Class B

*REGULARLY FURNISHED UNLESS OTHERWISE SPECIFIED

REV.	DATE: 05/04/11	C.N. NO. 121208
DWG. NO. 305710	PRODUCT NO. Z887-24-HD-LD	

ZURN INDUSTRIES, LLC ♦ SPECIFICATION DRAINAGE OPERATION ♦ 1801 Pittsburgh Ave. ♦ Erie, PA 16514

Phone: 814455-0921 ♦ Fax: 814454-7929 ♦ World Wide Web: www.zurn.com

In Canada: ZURN INDUSTRIES LIMITED ♦ 3544 Nashua Drive ♦ Mississauga, Ontario L4V1L2 ♦ Phone: 905405-8272 Fax: 905405-1292