

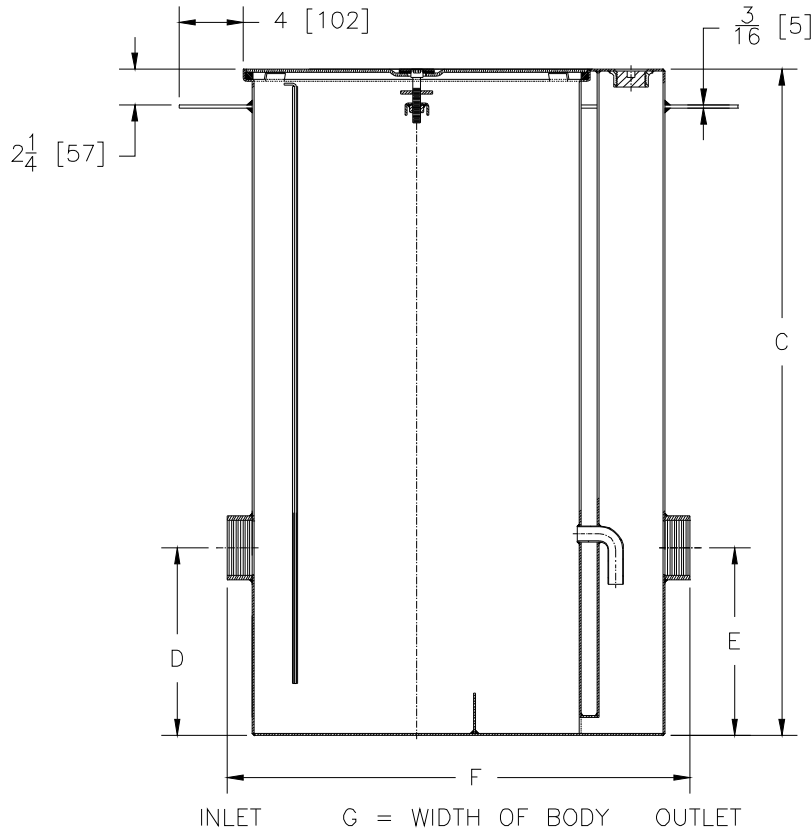


Z1170-115 GREASE INTERCEPTOR

SPECIFICATION SHEET

TAG _____

Dimensional Data (inches and [mm]) are Subject to Manufacturing Tolerances and Change Without Notice



Size	Inlet/ Outlet Size**	Flow Rate G.P.M. [L]	Capacity		Approx. Wt. Lbs. [kg]	Dimensions in Inches			
			Water Gal. [L]	Grease Lbs. [kg]		C	D/E	F	G
700	3 [75]	35 [132]	30 [113]	70 [32]	151 [68]	41 [1041]	14 1/4 [362]	34 1/8 [867]	22 1/2 [572]

ENGINEERING SPECIFICATION: ZURN Z1170-115 Acid Resistant Coated interior and exterior fabricated steel grease interceptor, PDI, rated at _____ GPM and _____ Lbs. grease capacity, with internal air relief by-pass, bronze cleanout plug, removable pressure equalizing/flow diffusing inlet baffle, fixed bottom outlet baffle, and visible double wall trap seal. Gasketed non-skid secured cover complete with center tie down assembly, with Z1108 flow control fitting. Regularly furnished with a high inlet and outlet connection. Note: Location of outlet from bottom of interceptor cannot be changed.

PREFIXES

- _____ Z Acid Resistant Coated Fabricated Steel*
- _____ ZS All Type 304 Fabricated Stainless Steel

SUFFIXES

- _____ -AL Aluminum Cover
- _____ -HD Heavy Duty Cover rated at 10,000 lbs. maximum safe live load.
- _____ -L Angle type (Z1108-L) flow control device with plunger.

** Inlet and outlet size shown is standard operating size and flow control setting. #700 will have 4[100] connections reduced to 3[75] as standard. If changed, flow control must be adjusted accordingly.

REV.	DATE: 6/21/05	C.N. NO. 93561
DWG. NO. P-15168 PRODUCT NO. Z1170-115		

*REGULARLY FURNISHED UNLESS OTHERWISE SPECIFIED