



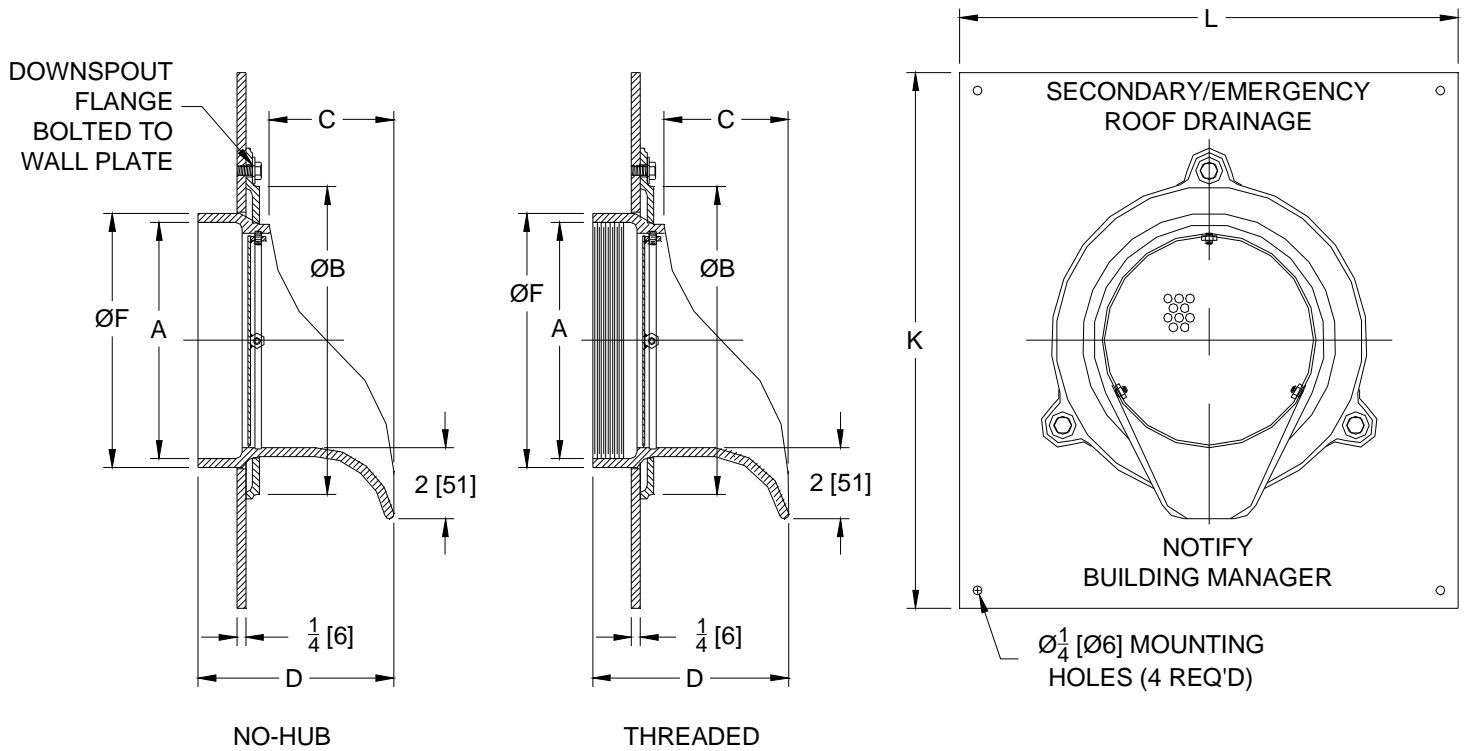
Z199-88

DOWNSPOUT NOZZLE W/ CUSTOM WALL PLATE & REMOVABLE STAINLESS STEEL SCREEN

SPECIFICATION SHEET

TAG _____

Dimensional Data (inches and [mm]) are Subject to Manufacturing Tolerances and Change Without Notice



A Pipe Size	Dimensions in inches								Approx. Wt. Lbs. [kg]
	B	C	D		F		K	L	
			IP	NH	IP	NH			
3 [76]	5 1/2 [140]	3 1/2 [89]	5 1/2 [140]	5 3/8 [137]	4 [102]	3 3/8 [86]	12 [305]	11 [280]	9 [4]
4 [102]	6 5/8 [168]	3 1/2 [89]	5 1/2 [140]	5 1/2 [140]	5 [127]	4 3/8 [111]	12 [305]	12 [305]	10 [5]
6 [152]	8 5/8 [219]	3 1/2 [89]	5 1/2 [140]	5 3/4 [146]	7 1/8 [151]	6 5/16 [160]	15 [381]	14 [355]	16 [7]

ENGINEERING SPECIFICATION: ZURN ZANB199-88 Downspout Nozzle, All nickel bronze body, optional threaded or no-hub inlet, decorative face of wall flange and outlet nozzle with 1/4 [6] thick stainless steel type 304 custom wall flange and removable stainless steel screen.

OPTIONS (Check/specify appropriate options)

PIPE SIZE	(Specify size/type)	OUTLET
3, 4, 6 [76, 102, 152]		<input type="checkbox"/> IP Threaded
3, 4, 6 [76, 102, 152]		<input type="checkbox"/> NH No-Hub

PREFIXES

- ZANB All Nickel Bronze Body*
- ZAB All Polished Bronze Body
- ZARB All Plain Bronze Body

SUFFIXES

- PVC PVC Connection

REV.	DATE: 06/08/10	C.N. NO. 111242
DWG. NO. 300830	PRODUCT NO. Z199-88	

*REGULARLY FURNISHED UNLESS OTHERWISE SPECIFIED