



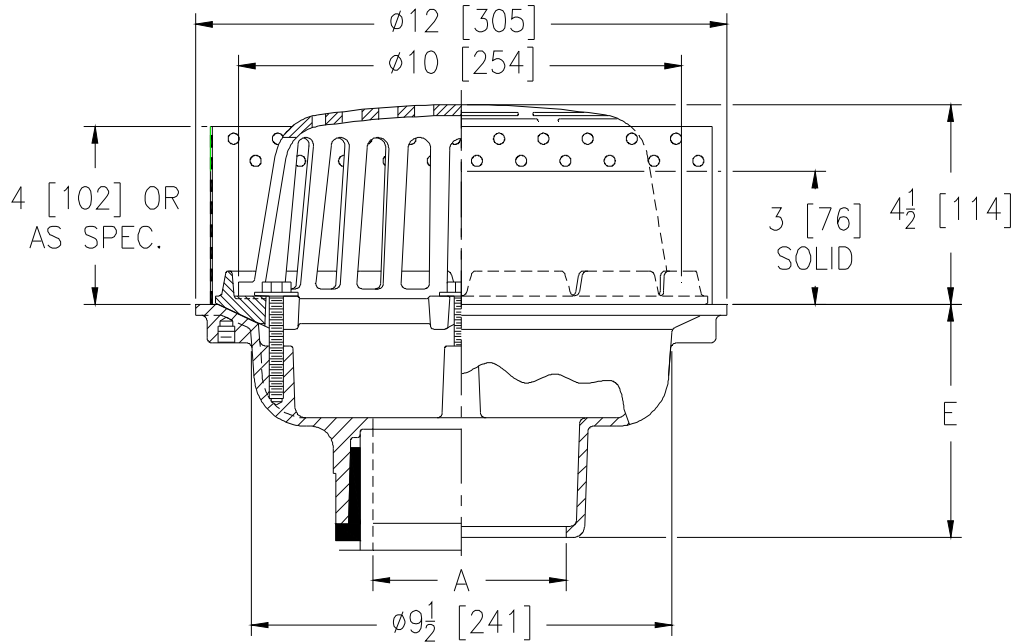
# Z121-125

Ø12 [305] ROOF DRAIN W/ PLAIN BRONZE DOME & PERFORATED/SOLID GRAVEL GUARD

SPECIFICATION SHEET

TAG \_\_\_\_\_

Dimensional Data (inches and [ mm ]) are Subject to Manufacturing Tolerances and Change Without Notice



A Pipe Size In. [mm]	Approx. Wt. Lbs. [kg]	Dome Open Area Sw. In. [cm <sup>2</sup> ]
2,3,4,6 [51,76,102,152]	24 [11]	78 [503]

**ENGINEERING SPECIFICATION: ZURN Z121-125**  
 12" [305mm] Diameter roof drain. Dura-Coated cast iron body with combination membrane flashing clamp/gravel guard perforated/solid ring and Plain Bronze dome.

**OPTIONS** (Check/specify appropriate options)

**PIPE SIZE**

(Specify size/type) **OUTLET**

**E BODY HT. DIM.**

2,3,4,6 [51,76,102,152]	_____	IC	Inside Caulk	5-1/4 [133]
2,3,4,6 [51,76,102,152]	_____	IP	Threaded	3-3/4 [95]
2,3,4,6 [51,76,102,152]	_____	NH	No-Hub	5-1/4 [133]
2,3,4 [51,76,102]	_____	NL	Neo-Loc	4-9/16 [116]

**PREFIXES**

___ Z	D.C.C.I. Body with Poly-Dome (4-1/4 [108] Dome Height)
___ ZA	D.C.C.I. Body with Aluminum Dome (6-9/16 [167] Dome Height)
___ ZC	D.C.C.I. Body with Low Silhouette Cast Iron Dome (4-1/4 [108] Dome Height)
___ ZRB	D.C.C.I. Body with Plain Bronze Dome (3-7/8 [98] Dome Height)*

**SUFFIXES**

___ -AR	Acid Resistant Epoxy Coated Finish	___ -R	Roof Sump Receiver
___ -C	Underdeck Clamp	___ -SC	Secondary Clamping Collar
___ -DP	Top Set® Roof Deck Plate Replaces both the -C and -R)	___ -SS	Stainless Mesh Screen Over Dome
___ -DR	Adjustable Drain Riser Extension Assembly Adjustable from 3-5/8 [92] to 7-1/4 [184]	___ -TC	Neo-Loc Test Cap Gasket (2-4 [51-102] NL Bottom Outlet Only)
___ -E	Static Extension 1 [25] thru 4 [102] (Specify Ht.)	___ -VP	Vandal-Proof Secured Top
___ -EB	Top-Set® Adjustable Extension Assembly	___ -XJ	Vertical Expansion Joint (See Z190)
___ -FG	Flush Grate (Replaces Dome Strainer)	___ -85	Stainless Steel Perforated Extension
___ -G	Galvanized Cast Iron	___ -89	2 [51] High External Water Dam
		___ -90	90° Threaded Side Outlet Body (2-4 [51-102] Only)

\* Regularly furnished unless otherwise specified.