

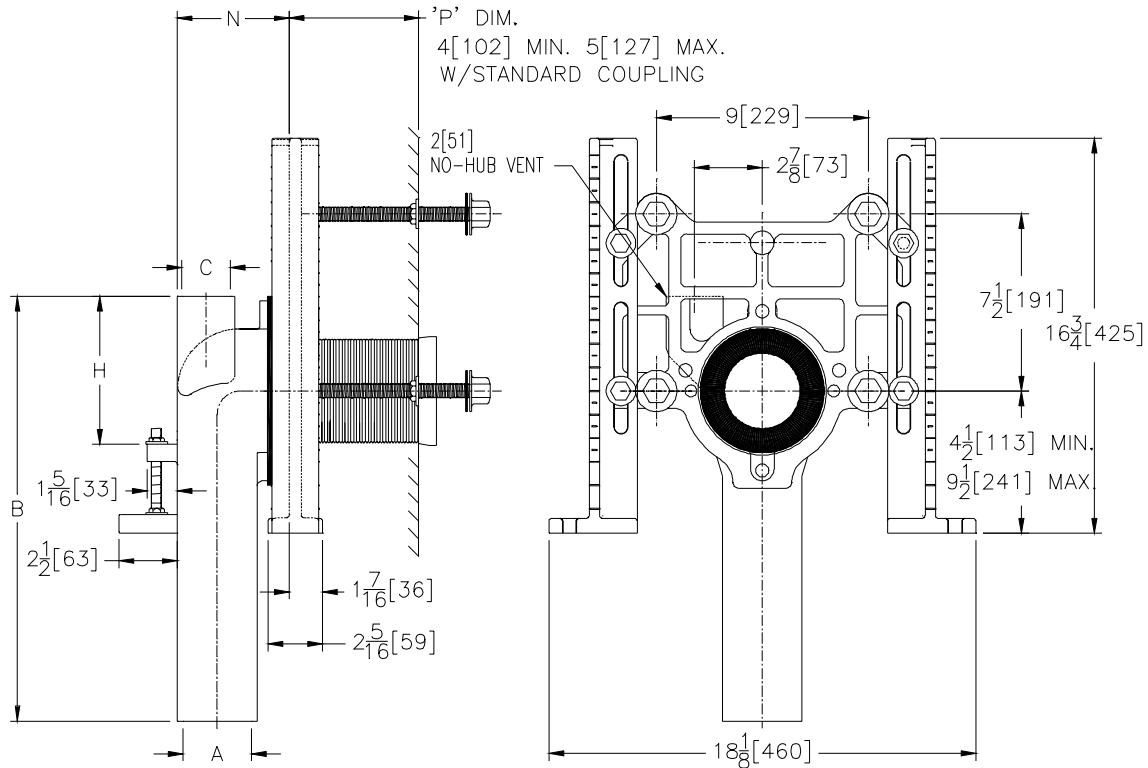


Z-1208-N32

VERTICAL SIPHON JET WATER CLOSET SUPPORT SYSTEM W/ AUXILIARY INLET

TAG _____

Dimensional Data (inches and [mm]) are Subject to Manufacturing Tolerances and Change Without Notice



| Product No. | Dimensions In Inches | | | | | Approx. Wt. Lbs. [kg] |
|-------------|----------------------|----------|--------|-------------|-------------|-----------------------|
| | A | B | C | H | N | |
| Z-1208-N32 | 3 [76] | 18 [457] | 2 [51] | 6 1/4 [159] | 4 3/4 [121] | 60 [27] |

ENGINEERING SPECIFICATION:

ZURN Z-1208-N32 () Vertical Siphon Jet Water Closet "Rigid System" with No-Hub connections. Complete with Dura-Coated cast iron main fitting, separable face plate rigidly mounted on fitting, universal floor mounted foot supports, corrosion resistant adjustable ABS coupling with integral test cap, fixture bolts, trim, and stud protectors. Rear anchor tie down, and bonded "Neo-Seal" gasket.

PRODUCT/DEFINITION

_____ Z-1208-N32 3 [76] No-Hub, 2 [51] No-Hub Vent

PREFIXES

_____ Z- D.C.C.I. System with Zurn "ZZ" Adjustable Coupling*
 _____ ZQ- D.C.C.I. System with N.P.T. Inlet, Non-Adjustable Coupling

SUFFIXES

_____ -A Auxiliary Support Assembly (For P-Dim. greater than 18 [457])
 _____ -B Blowout Type Fixture Support
 _____ -CC Corrosion Resistant C.I. Coupling 6 [152] Long
 _____ -CL Coupling Length Greater than 12 [305] (Specify length if greater than 6 [152])
 _____ -F Floor Mounted, Back Outlet Fixture Support
 _____ -G Galvanized Cast Iron
 _____ -M Auxiliary Foot Support (For P-Dim. 10 [254] to 18 [457])
 _____ -VP Vandal Proof Trim
 _____ -W Adapter for Womens Urinal
 _____ -X3 3 [76] Foot Extension Assembly
 _____ -X4 4 [102] Foot Extension Assembly
 _____ -29 Mechanical Test Cap Assembly (Previously Z-1210-29)

Note:

1. Min. 'P' Dim. Obtainable=2 [51]
2. Feet bolted to floor using min. 1/2 [13] dia. bolts and back slots on carrier feet.
3. Back anchor foot required for secure installation.

_____ -45 Finishing Frame for Siphon Jet System (For Blowout System specify -45-B) (Previously Z-1210-45)
 _____ -50 Flush Valve Supply Support for W.C. (Previously Z-1210-50)
 _____ -61 "ZZ" Coupling Wrench

*REGULARLY FURNISHED UNLESS OTHERWISE SPECIFIED

| | | |
|----------------|------------------------|----------------|
| REV. D | DATE: 2/19/98 | C.N. NO. 79919 |
| DWG. NO. 57124 | PRODUCT NO. Z-1208-N32 | |