



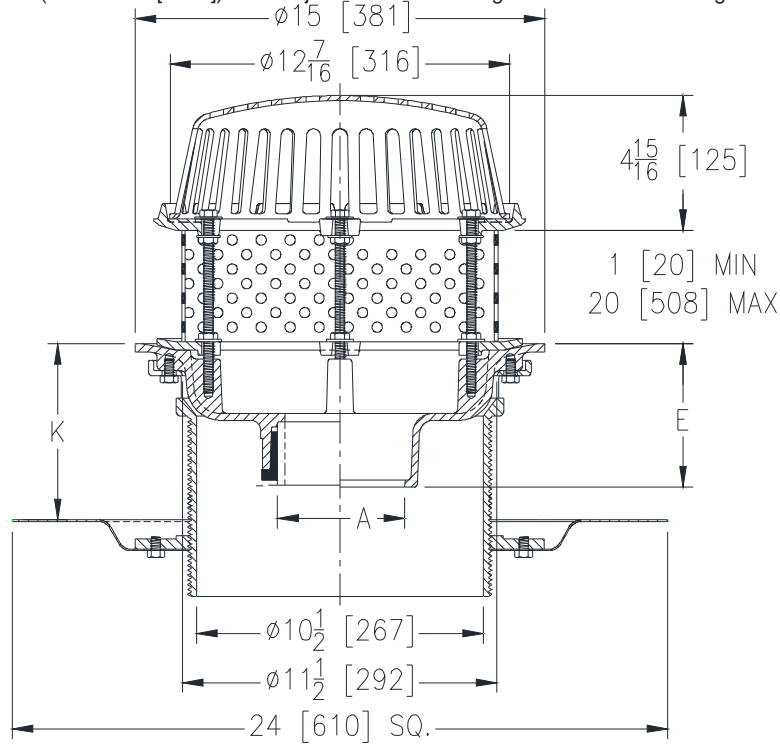
ZC100-DR-85

15 [381] DIAMETER MAIN ROOF DRAIN W/ TOP-SET®
DRAIN RISER, STAINLESS STEEL PERFORATED
EXTENSION AND CAST IRON DOME

SPECIFICATION SHEET

TAG _____

Dimensional Data (inches and [mm]) are Subject to Manufacturing Tolerances and Change Without Notice



Dimensions in In [mm]		Approx. Wt. Lbs. [kg]	Dome Open Area Sq. In. [cm ²]
A Pipe Size	K Min. Max.		
2, 3, 4 [51, 76, 102]		65 [30]	103 [665]
6 [152]	2-5/8 [67] 7-1/4 [184]	66 [30]	
8 [208]		67 [30]	

ENGINEERING SPECIFICATION: ZURN ZC100-DR-85 15" [381mm] Diameter roof drain. Dura-Coated cast iron body with combination membrane flashing clamp/gravel guard, Top-Set® drain riser, secondary clamp collar, stainless steel perforated extension and cast iron dome.

OPTIONS (Check/specify appropriate options)

PIPE SIZE

- 3, 4, 6 [76, 102, 152]
- 2, 3, 4, 6, 8 [51, 76, 102, 152, 203]
- 2, 3, 4, 6, 8 [51, 76, 102, 152, 203]
- 2, 3, 4 [51, 76, 102]
- 6 [152]

(Specify size/type) **OUTLET**

- _____ IC Inside Caulk
- _____ IP Threaded
- _____ NH No-Hub
- _____ NL Neo-Loc
- _____ NL Neo-Loc

E BODY HT. DIM.

- 5-1/4 [133]
- 3-3/4 [95]
- 5-1/4 [133]
- 4-9/16 [116]
- 5-7/16 [112]

PREFIXES

- _____ ZC D.C.C.I. Body with Cast Iron Dome*

SUFFIXES

- _____ -AR Acid Resistant Epoxy Coated
- _____ -E Static Extension 1 [25] thru 4 [102] (Specify Height)
- _____ -EA Adjustable Extension Assembly 2-1/8 [54] thru 3-1/2 [89] (Specify Height)
- _____ -G Galvanized Cast Iron
- _____ -SS Stainless Steel Mesh Screen Over Dome
- _____ -ST Dome with Solid Top
- _____ -TC Neo-Loc Test Cap Gasket (2 [51] - 4 [102] NL Bottom Outlet Only)
- _____ -VP Vandal-Proof Secured Top
- _____ -84 Stainless Steel Perforated Gravel Guard

* Regularly furnished unless otherwise specified.