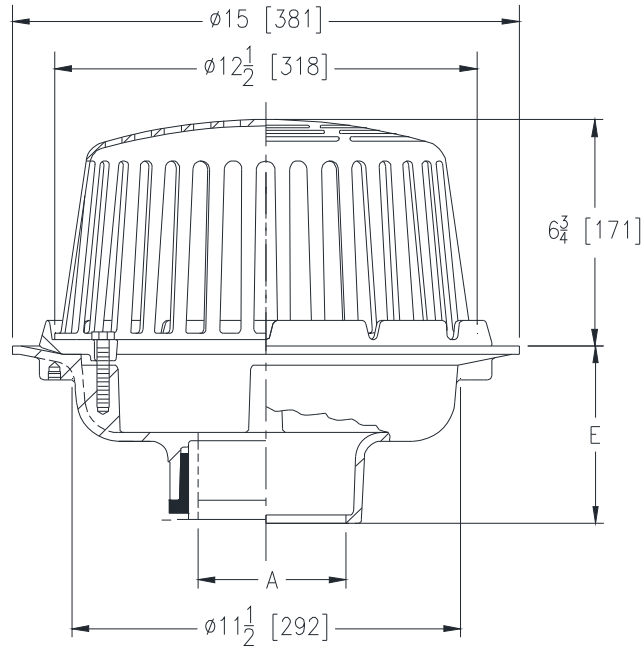




Z100-HD

15 [381] DIAMETER MAIN ROOF DRAIN
W/ 6-3/4 [171] HIGH DOME

Dimensional Data (inches and [mm]) are Subject to Manufacturing Tolerances and Change Without Notice



A Pipe Size in [mm]	Approx Wt. lbs [kg]	Dome Open Area in ² [cm ²]
2,3,4 [51,76,102]	26 [12]	148 [955]
6 [152]	27 [12]	
8 [203]	28 [13]	

ENGINEERING SPECIFICATION: ZURN Z100-HD
15" [381mm] Diameter roof drain. Dura-Coated cast iron body with combination membrane flashing clamp/gravel guard and 6-3/4" [171mm] high aluminum dome

OPTIONS (Check/specify appropriate options)

PIPE SIZE

- 3,4,6 [76,102,152]
- 2,3,4,6,8 [51,76,102,152,203]
- 2,3,4,6,8 [51,76,102,152,203]
- 2,3,4 [51,76,102]
- 6 [152]

(Specify size/type) **OUTLET**

- _____ IC Inside Caulk
- _____ IP Threaded
- _____ NH No-Hub
- _____ NL Neo-Loc
- _____ NL Neo-Loc

E BODY HT. DIM.

- 5-1/4 [133]
- 3-3/4 [95]
- 5-1/4 [133]
- 4-5/8 [117]
- 5-7/16 [138]

PREFIXES

- _____ ZA D.C.C.I. Body with Aluminum Dome*

SUFFIXES

- | | |
|---|--|
| _____ -AC Angular Underdeck Clamp | _____ -R Roof Sump Receiver |
| _____ -AR Acid Resistant Epoxy Coated | _____ -SC Secondary Clamping Collar |
| _____ -C Underdeck Clamp | _____ -SS Stainless Mesh Screen Over Dome |
| _____ -DE Deck Extension (Includes Deck Plate -DP) | _____ -TC Neo-Loc Test Cap Gasket
(2,3,4 [51,76,102] NL Bottom Outlet Only) |
| _____ -DP Top-Set® Roof Deck Plate
(Replaces both -C and -R) | _____ -W2 2 [51] Internal Water Dam |
| _____ -DR Top-Set® Drain Riser | _____ -W3 3 [76] Internal Water Dam |
| _____ -E Static Extension 1 [25] thru 4 [102] (Specify Ht.) | _____ -W4 4 [102] Internal Water Dam |
| _____ -EA Adjustable Extension Assembly
2-1/8 [54] thru 3-1/2 [89] | _____ -84 Stainless Steel Perforated Gravel Guard |
| _____ -EB Top-Set Adjustable Extension Assembly | _____ -85 Stainless Steel Perforated Extension |
| _____ -G Galvanized Cast Iron | _____ -89 2 [51] High External Water Dam |
| | _____ -90 90° Threaded Side Outlet Body |

* Regularly furnished unless otherwise specified.