



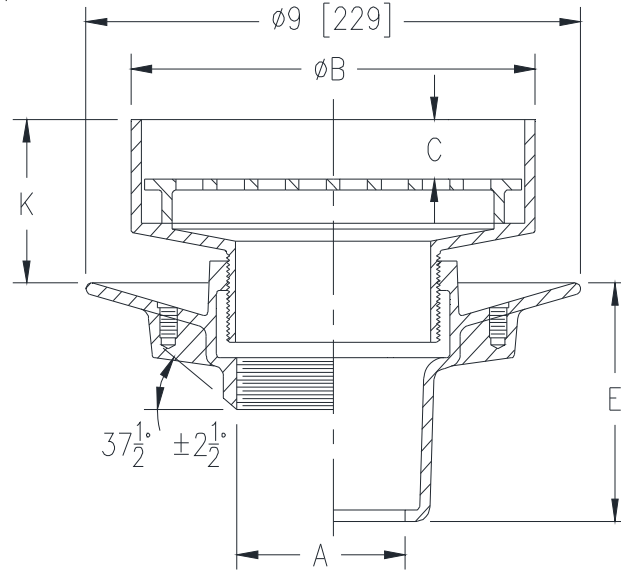
Z1726-92

ADJUSTABLE FLOOR DRAIN W/ "TYPE I" STAINLESS STEEL STRAINER

SPECIFICATION SHEET

TAG _____

Dimensional Data (inches and [mm]) are Subject to Manufacturing Tolerances and Change Without Notice



Dimensions In Inches [mm]					Approx. Wt. Lbs. [kg]	Strainer Open Area Sq. In. [cm ²]
A Pipe Size	B Strainer Dia.	C	K Min.	K Max.		
2,3,4,6 [51,76,102,152]	7 [178]	1 [25]	1-5/8 [41]	4 [102]	19 [9]	13 [84]

ENGINEERING SPECIFICATION: ZURN Z1726-92

All Type 304 (CF8) stainless steel adjustable floor drain with anchor flange (clamp collar with seepage holes, when specified), and "Type I" stainless steel strainer with raised flange.

OPTIONS (Check/specify appropriate options)

PIPE SIZE

2,3,4,6 [51,76,102,152]

(Specify size/type) OUTLET

___ BW But-weld
(Specify Schedule 10, 40 or 80)

'E' BODY HT. DIM.

2-7/8 [73]

2,3,4 [51,76,102]

___ IC Inside Caulk

4-3/8 [111]

2,3,4 [51,102]

___ IP Threaded

2-7/8 [73]

PREFIXES

- ___ Z Type 304 (CF8) Stainless Steel Body*
- ___ ZM Type 316 (CF8M) Stainless Steel Body
- ___ ZL Type 316L (CF3M) Stainless Steel Body

SUFFIXES

- ___ -K Seepage Holes Only
- ___ -KC Clamp Collar with Seepage Holes
- ___ -TS Top Secured with Slotted Screws
- ___ -V Bronze Backwater Valve
- ___ -VP Vandal-Proof Secured Top
- ___ -Y Stainless Steel Sediment Bucket

* Regularly furnished unless otherwise specified.