



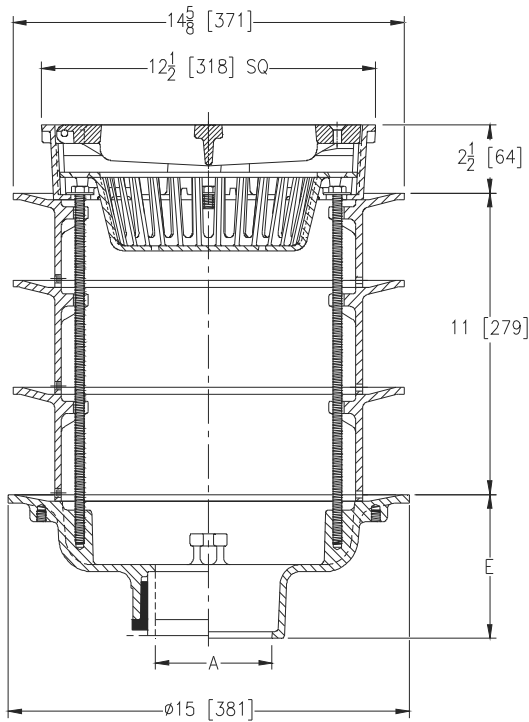
Z610-124

SPECIFICATION SHEET

12 [305] HEAVY-DUTY DRAIN WITH HINGED GRATE AND 11 [279] STATIC EXTENSION

TAG _____

Dimensional Data (inches and [mm]) are Subject to Manufacturing Tolerances and Change Without Notice



ENGINEERING SPECIFICATION: ZURN Z610-124

12 [305] Square top drain, Dura-Coated cast iron body with bottom outlet, seepage pan and combination membrane flashing clamp and frame for hinged grate, 11 [279] fastened static extensions, and suspended polypropylene sediment bucket.

A Pipe Size	Approx. Wt. Lbs. [kg]	Grate Open Area Sq. In. [cm ²]
2-3-4-5-6 [51-76-102-127-152]	98 [44]	42 [271]
8-10 [203-254]	100 [45]	

OPTIONS (Check/specify appropriate options)

PIPE SIZE

- 2 thru 6, 8, 10 [51 thru 152, 203, 254]
- 2 thru 4, 6 [51 thru 102, 152]
- 2 thru 6, 8, 10 [51 thru 152, 203, 254]
- 2 thru 6, 8, 10 [51 thru 152, 203, 254]
- 2 thru 4 [51 thru 102]

(Specify size/type) OUTLET

- _____ IC Inside Caulk
- _____ IG Inside Gasket
- _____ IP Threaded
- _____ NH No-Hub
- _____ NL Neo-Loc

'E' BODY HT. DIM.

- 5-1/4 [133]
- 5-1/4 [133]
- 3-3/4 [95]
- 5-1/4 [133]
- 4-5/8 [117]

PREFIXES

- _____ Z D.C.C.I. Body and Top*
- _____ ZB D.C.C.I Body w/Polished Bronze Top (Add 3/16 [5] to 2-1/2 [64] Dim. and 3/4 [19] to 12-1/2 [318] Dim.)
- _____ ZN D.C.C.I Body w/Polished Nickel Bronze Top (Add 3/16 [5] to 2-1/2 [64] Dim. and 3/4 [19] to 12-1/2 [318] Dim.)

SUFFIXES

- _____ -AR Acid Resistant Epoxy Coated Cast Iron
- _____ -DG Duresist Grate
- _____ -DS Ductile Iron Solid Cover
- _____ -DX Dex-o-tex Flange (ZB, ZN Only)
- _____ -F 2 [51] High Extension
- _____ -G Galvanized Cast Iron
- _____ -HC Hinged Solid Cover
- _____ -HL Hinged Locking Grate
- _____ -HLC Hinged Locking Cover
- _____ -LY (Less) Sediment Bucket
- _____ -P Trap Primer Connection
- _____ -S Secondary Strainer
- _____ -SC Solid Cover
- _____ -SS Stainless Steel Mesh Liner for Bucket
- _____ -TC Neo-Loc Test Cap Gasket (2 [51] - 4 [102] NL Bottom Outlet Only)
- _____ -TS Top Secured with Slotted Screws
- _____ -V Backwater Valve (See Z1099)
- _____ -VP Vandal-Proof Secured Top
- _____ -YA Aluminum Sediment Bucket
- _____ -YC Cast Iron Sediment Bucket
- _____ -90 90° Threaded Side Outlet Body

*REGULARLY FURNISHED UNLESS OTHERWISE SPECIFIED

REV.	DATE: 04/23/13	C.N. NO. 129199
PROD./DWG. NO. Z610-124		