

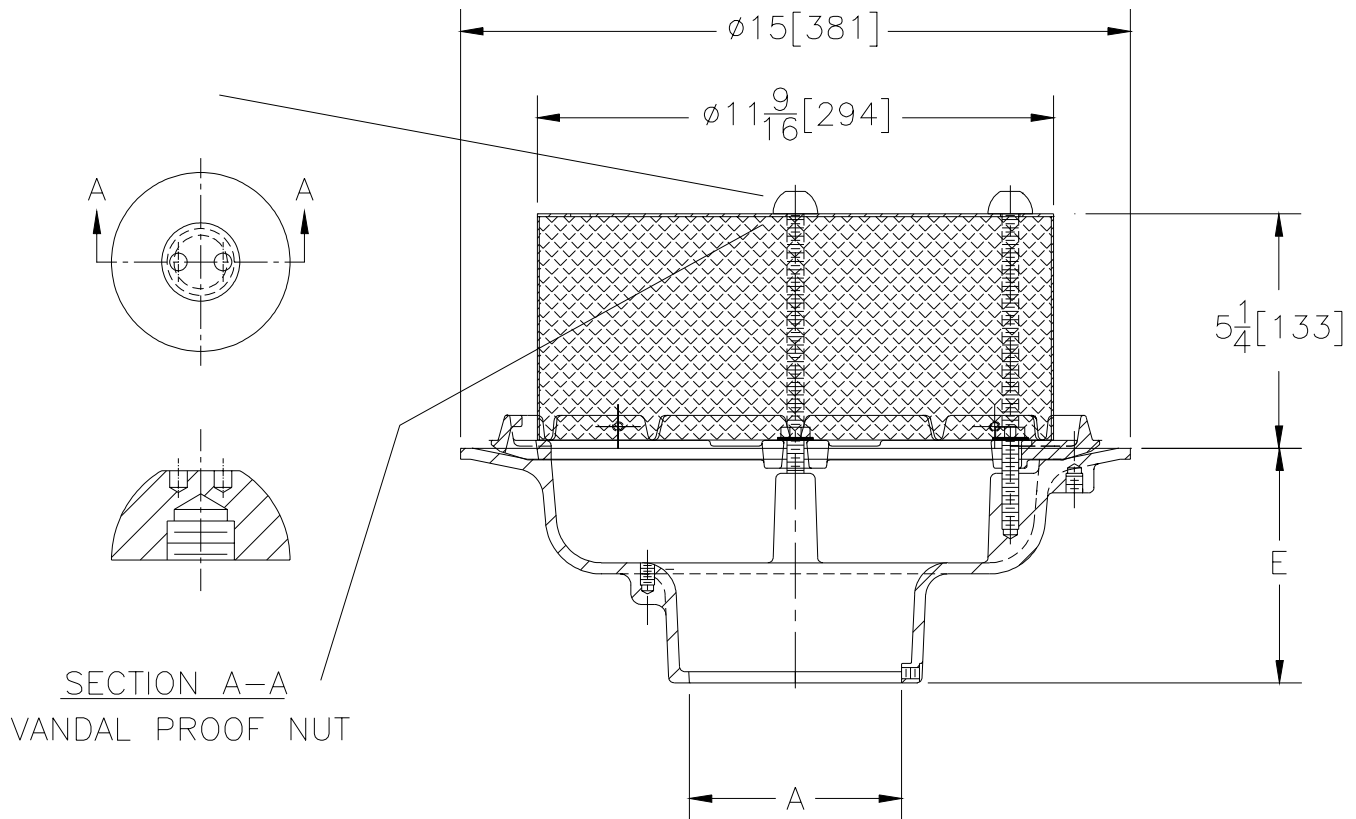


Z-100-151
15" [381] DIAMETER MAIN ROOF DRAIN
WITH EXPANDED METAL DOME
AND VANDAL PROOF NUTS

SPECIFICATION SHEET

TAG _____

Dimensional Data (inches and [mm]) are Subject to Manufacturing Tolerances and Change Without Notice



A- Pipe Size In.	Approx. Wt. Lbs. [kg]
2-3-4 [50-75-100]	44 [20]
6 [150]	45 [20]

ENGINEERING SPECIFICATION: ZURN Z-100-151 15[381] Diameter roof drain. Dura-Coated cast iron body with combination membrane flashing clamp/gravel guard and galvanized 7 gage-3/4" expanded metal roof drain guard, secured with vandal proof nuts.

PIPE SIZE

- 2,3,4,6 [50,76,101,152]
- 2,3,4,6 [50,76,101,152]
- 2 thru 6 [50 thru 152]
- 2,3,4,6 [50,76,101,152]
- 2 thru 6 [50 thru 152]

PREFIXES

- ___ Z- D.C.C.I. Body with Guard*

SUFFIXES

- ___ -AC Angular Underdeck Clamp
- ___ -AR Acid Resistant Epoxy Coated Finish
- ___ -C Underdeck Clamp
- ___ -E Static Extension 1 [25] thru 4 [102] (Specify Ht.)
- ___ -EA Adjustable Extension Assembly 1 3/4 [44] thru 3 1/2 [89]
- ___ -ES Static Extension With Secondary Clamp

OPTIONS (Check/specify appropriate options)
 (Specify size/type) **OUTLET**

- ___ IC Inside Caulk
- ___ IG Inside caulk w/Sealtrol Gskt.
- ___ IP Threaded
- ___ NH No-Hub
- ___ NL Neo-Loc

E BODY HT. DIM.

- 5 1/4 [133]
- 5 1/4 [133]
- 3 3/4 [95]
- 5 1/4 [133]
- 4 5/8 [117]

REV.	DATE: 1/29/98	C.N. NO. 79592
DWG. NO. P-14590 PRODUCT NO. Z-100-151		

*REGULARLY FURNISHED UNLESS OTHERWISE SPECIFIED