



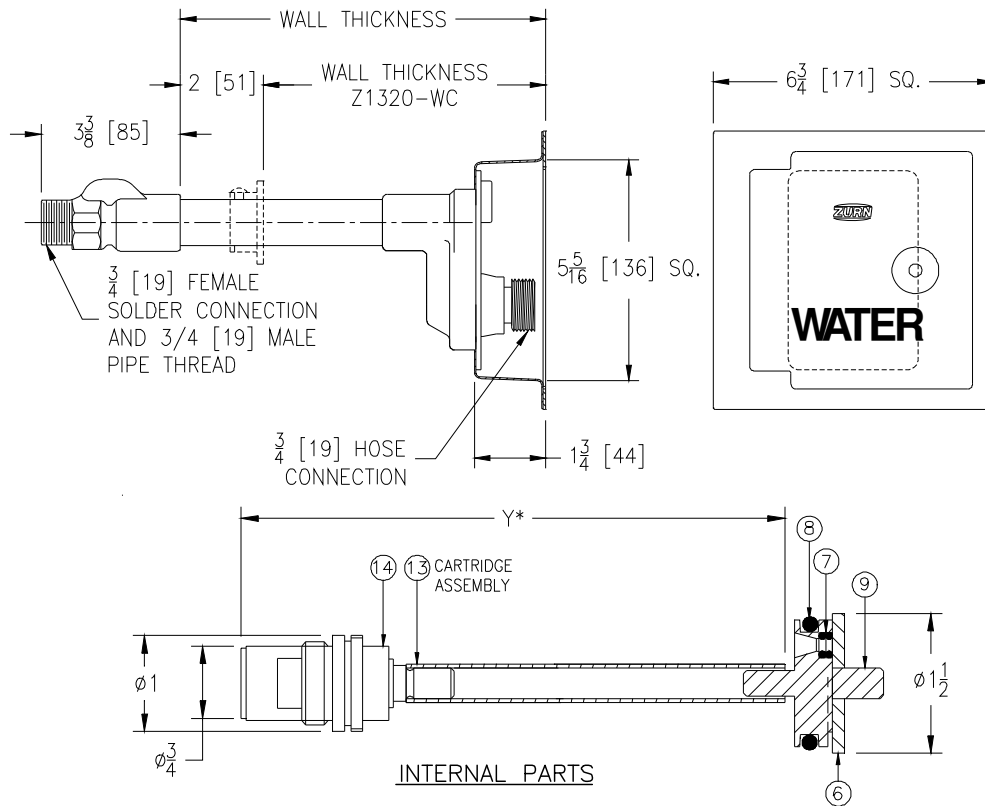
# Z1320-82

40 [1016] ECOLOTROL CERAMIC DISC WALL HYDRANT  
ENCASED, NON-FREEZE, ANTI-SIPHON, AUTOMATIC  
DRAINING

SPECIFICATION SHEET

TAG \_\_\_\_\_

Dimensional Data (inches and [ mm ]) are Subject to Manufacturing Tolerances and Change Without Notice



Wall Thickness Inches [mm]	Approx. Wt. Lbs. [kg]
40 [1016]	12 [305]

**ENGINEERING SPECIFICATION: ZURN Z1320-82**

40" [1016mm] Encased Ecolotrol "anti-siphon" automatic draining wall hydrant for flush installation. Complete with integral backflow preventer, copper casing, all bronze interior parts with 1/2 turn ceramic disc cartridge and combination 3/4" [19mm] female solder and 3/4" [19mm] male pipe thread inlet. Stainless steel box and hinged cover with operating key lock and "WATER" stamped on cover. (All solder connections are lead free.)

Note: During normal operation, the hydrant may take as long as one minute to complete the self-draining process. This drainage feature should not be mistaken for an unsealed shut-off of the hydrant, and over-tightening of the operating coupling is not necessary.

**OPTIONS** (Check/specify appropriate options)

**SUFFIXES**

- \_\_\_ -CL Cylinder Lock
- \_\_\_ -NB Polished Nickel Bronze Face
- \_\_\_ -PB Polished Bronze Face
- \_\_\_ -RK Hydrant Parts Repair Kit
- \_\_\_ -WC Wall Clamp
- \_\_\_ -34EL 3/4 [19] IP 90° Solder Inlet Elbow
- \_\_\_ -34FIP 3/4 [19] IP Straight Female Inlet Adapter

**PARTS LIST**

Item	Name	Quan.
14	Cartridge	1
13	Operating Tube	1
9	Operating Coupling	1
8	'O' Ring	1
7	'O' Ring	2
6	Retaining Washer	1

\* Regularly furnished unless otherwise specified.