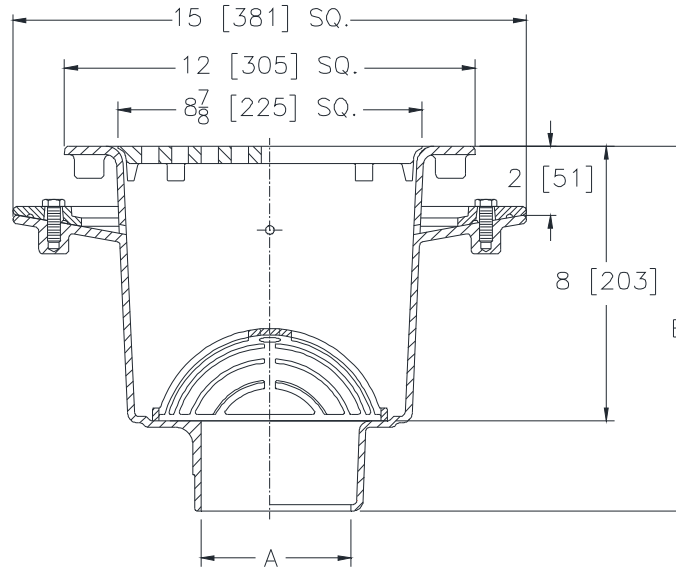




Z1901-KC-2

12 x 12 [305 x 305] A.R.E. SANI-FLOR RECEPTOR 8 [203] SPECIFICATION SHEET
 SUMP DEPTH W/ 1/2 GRATE, ANCHOR FLANGE & SEEPAGE HOLES WITH CLAMP COLLAR TAG _____

Dimensional Data (inches and [mm]) are Subject to Manufacturing Tolerances and Change Without Notice



A-Pipe Size In. [mm]	Approx. Wt. Lbs.[kg.]	Grate Open Area Sq. In. [cm]
2, 3, 4 [51, 76, 102]	36[23]	41 [265]

ENGINEERING SPECIFICATION: ZURN Z1901-KC-2
 Sani-Flor Receptor 12" x 12" x 8" [305mm x 305mm x 203mm] Deep cast iron body with anchor flange with seepage holes and clamping collar, square slotted light duty 1/2 grate with white acid resisting porcelain enamel interior and top, and black ground enamel exterior coating, complete with ABS anti-splash interior bottom dome strainer.

OPTIONS (Check/specify appropriate options)

PIPE SIZE

3, 4 [76, 102]
 2, 3, 4 [51, 76, 102]
 2, 3, 4 [51, 76, 102]

(Specify size/type) OUTLET

___ IC Inside Caulk
 ___ NH No-Hub
 ___ NL Neo-Loc

'E' BODY HT. DIMENSION

Z	ZN / ZS
10-5/8 [270]	11-1/8 [283]
10-5/8 [270]	11-1/8 [283]
10 [254]	10-1/2 [267]

PREFIXES

- ___ Z Cast Iron Body with White A.R.E. Interior*
- ___ ZN Cast Iron Body with White A.R.E. Interior, 12-1/2 [317] Square N.B. Frame and 1/2 Grate with 1/2 [13] Openings.
- ___ ZS Cast Iron Body with White A.R.E. Interior, 12-1/2 [317] Square Stainless Steel Frame and 1/2 Grate with 1/2 [13] Openings.

SUFFIXES

- | | |
|---|---|
| ___ -DX Dex-o-Tex Flange (ZN only) | ___ -11 Vandal-Proof Secured Grate (ZN & ZS Only) |
| ___ -HD Stainless Steel Frame w/ Extra-Heavy Duty Stainless Steel Grate (ZS only) | ___ -23 Aluminum Bucket |
| ___ -HP Heel-Proof Grate (ZN only) | ___ -25 White A.R.C. Bucket |
| ___ -LD (Less) Bottom Dome Strainer | ___ -31 Stainless Steel Mesh Liner for Bucket |
| ___ -P 1/2 [13] Trap Primer Connection (See Z1023) | ___ -32 Aluminum Dome Strainer |
| ___ -TC Neo-Loc Test Cap Gasket (2, 3, 4 [51, 76, 102] NL Bottom Outlet Only) | ___ -33 White A.R.C. Anti-Splash Bottom Dome Strainer |
| ___ -VPS Vandal-Proof Strainer | |
| ___ -6 Grate w/ 6 [152] Dia. x 6 [152] High Funnel | |
| ___ -7 Grate w/ 6-3/4 x 3 x 1 [171 x 76 x 25] High Oval Funnel | |
| ___ -8 Grate w/ 8-7/8 x 3-5/8 x 3-3/4 [225 x 92 x 95] High Oval Funnel | |

* Regularly furnished unless otherwise specified.

Zurn Industries, LLC | Specification Drainage Operation
 1801 Pittsburgh Avenue, Erie, PA U.S.A. 16502 · Ph. 855-663-9876, Fax 814-454-7929
 In Canada | Zurn Industries Limited
 3544 Nashua Drive, Mississauga, Ontario L4V 1L2 · Ph. 905-405-8272, Fax 905-405-1292
www.zurn.com

Rev. C
 Date: 10/11/2017
 C.N. No. 138720
 Prod. | Dwg. No. Z1901-KC-2