



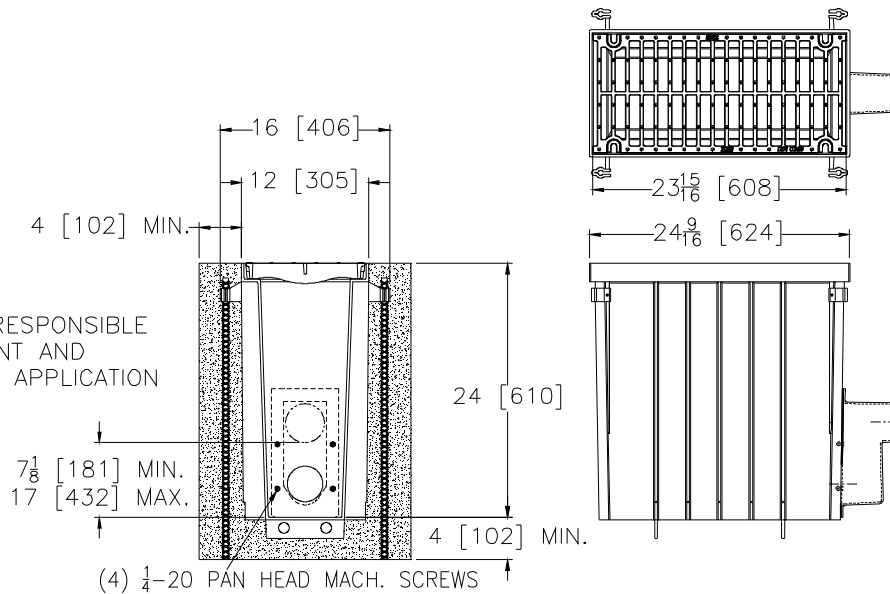
# Z887-12-FT

SPECIFICATION SHEET

12 [305] WIDE REVEAL x 24-9/16 [624] LONG  
CATCH BASIN W/ Ø4 [102] FOUL AIR TRAP

TAG \_\_\_\_\_

Dimensional Data (inches and [ mm ]) are Subject to Manufacturing Tolerances and Change Without Notice



SPECIFYING ENGINEER IS RESPONSIBLE FOR CONCRETE ENCASEMENT AND REINFORCING BASED UPON APPLICATION AND LOCAL CODES

NOTE: + Actual Channel length is 24 9/16 [624].

**ENGINEERING SPECIFICATION:** Zurn Z887-12-FT

Catch Basin shall be 12 [305] wide reveal x 24-9/16 [624] long, and 24 [610] deep. Catch basin shall be made of 0% water absorbent High Density Polyethylene (HDPE). Shall mechanically lock into the concrete surround every 10 [254]. Basin shall weigh less than 14.6 lbs.[6.6 kg]. Catch basin shall have rebar clips standard to secure basin in its final location and a bolted and gasketed foul air trap aligned and attached in the field after trimming ribs. Shall be provided with standard DGC grate. Zurn 12 [305] wide reveal Ductile Iron Slotted Grate conforming to ASTM specification A536-84, Grade 80-55-06. Ductile Iron grate is rated class C per the DIN EN1433 top load classifications. Supplied in 24 [608] nominal lengths with 13/16 [21] wide slots, and 1-1/2 [38] bearing depth. Grate has an open area of 80.80 sq. in per ft. [171,027 sq. mm per meter].

**PREFIX OPTIONS (Check/specify appropriate options)**

\_\_\_ Z 12-inch by 24-inch High Density Polyethylene (HDPE) Catch Basin\*

**SUFFIX OPTIONS (Check/specify appropriate options)**

**Adapters**

- \_\_\_ -E3/U3 3 [76] No-Hub End/Bottom Outlet Adapter
- \_\_\_ -E4/U4 4 [102] No-Hub End/Bottom Outlet Adapter
- \_\_\_ -E6/U6 6 [152] No-Hub End/Bottom Outlet Adapter
- \_\_\_ -IA Inlet Adapter (Z886)
- \_\_\_ -IA Inlet Adapter (Z882)

**Grate Options (Load Classifications are per DIN EN1433)**

- \_\_\_ -DGC Ductile Iron Slotted Grate - Class C \*
- \_\_\_ -GDC Galvanized Ductile Slotted Grate - Class C
- \_\_\_ -GG Fiberglass Grate - Class A
- \_\_\_ -HPD Heel-Proof Ductile ADA Grate - Class B
- \_\_\_ -RFGC Reinforced Slotted Galvanized Grate - Class C
- \_\_\_ -RPGC Reinforced Perforated Galvanized Grate - Class C
- \_\_\_ -RPGRC Reinforced Perforated Galvanized Reverse Punch Grate - Class C
- \_\_\_ -RFSC Reinforced Slotted Stainless Steel Grate - Class C
- \_\_\_ -RPSC Reinforced Perforated Stainless Steel Grate - Class C
- \_\_\_ -RPSRC Reinforced Perforated Stainless Steel Reverse Punch Grate - Class C
- \_\_\_ -SBG-L Stainless Steel Bar Grate - Class C

**Miscellaneous Options**

- \_\_\_ -CBF Black Acid Resistant Coated Frame
- \_\_\_ -GFA Galvanized Extra Heavy Duty Frame Assy. w/ Studs
- \_\_\_ -HD Extra Heavy-Duty Frame Assembly w/ Anchor Studs
- \_\_\_ -SF Type 304 Stainless Steel Top Frame
- \_\_\_ -Y Sediment Bucket

**MADE in the U.S.A. (Load Classifications are per DIN EN1433)**

- |   |   |
|---|---|
| ___ -ADA-USA Meets Americans with Disabilities Act Requirements - Class C | ___ -RPG-USA Reinforced Galvanized Perforated ADA Grate - Class B                           |
| ___ -DGC-USA Ductile Iron Slotted Grate - Class C                         | ___ -RPGR Reinforced Galvanized Perforated Reverse Punch Anti-Slip ADA Grate - Class B      |
| ___ -FG Fabricated Galvanized Steel Slotted Grate - Class A               | ___ -RPS-USA Reinforced Stainless Steel Perforated ADA Grate - Class B                      |
| ___ -FS Fabricated Stainless Steel Slotted Grate - Class A                | ___ -RPSR Reinforced Stainless Steel Perforated Reverse Punch Anti-Slip ADA Grate - Class B |
| ___ -GADA-USA Galvanized Ductile ADA Slotted Grate - Class C              |   |
| ___ -GDC-USA Galvanized Ductile Slotted Grate - Class C                   |   |
| ___ -GHPDE-USA Galvanized Ductile Slotted Grate - Class E                 |   |
| ___ -HPDE-USA Heel-Proof Ductile Slotted Grate - Class E                  |   |
| ___ -PG Perforated Galvanized Steel ADA Grate - Class A                   |   |
| ___ -PS Perforated Stainless Steel ADA Grate - Class A                    |   |
| ___ -RFG-USA Reinforced Galvanized Steel Slotted Grate - Class B          |   |
| ___ -RFS-USA Reinforced Stainless Steel Slotted Grate - Class B           |   |

REV. B DATE: 5/10/12 C.N. NO. 124287

PROD/DWG. NO. Z887-12-FT

\*REGULARLY FURNISHED UNLESS OTHERWISE SPECIFIED