



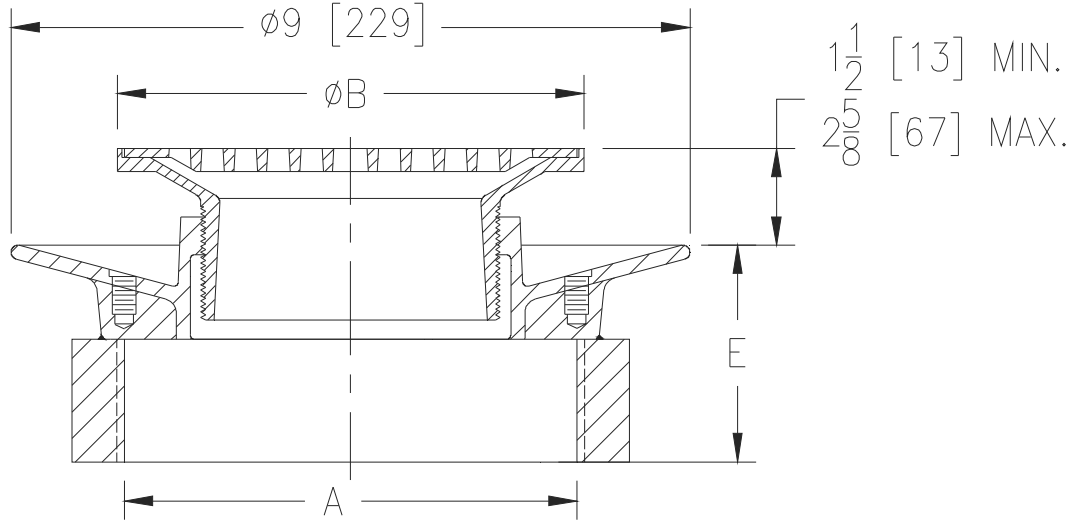
Z1726-97

ADJUSTABLE FLOOR DRAIN MEDIUM DUTY WITH ROUND TOP & 6 [152] THREADED OUTLET

SPECIFICATION SHEET

TAG _____

Dimensional Data (inches and [mm]) are Subject to Manufacturing Tolerances and Change Without Notice



Dimensions In Inches [mm]		Approx. Wt. Lbs. [kg]	Strainer Open Area Sq. In. [cm ²]
A Pipe Size	B Strainer Dia.		
6 [152]	10 [254]	19 [9]	27 [174]

ENGINEERING SPECIFICATION: ZURN Z1726-97

All Type 304 (CF8) stainless steel adjustable floor drain with anchor flange (clamp collar with seepage holes, when specified), and 6" [152 mm] diameter medium-duty vertically adjustable, satin finish top and 6" [152 mm] IP outlet.

OPTIONS (Check/specify appropriate options)

PIPE SIZE

6 [152]

(Specify size/type) **OUTLET**

___ IP Threaded

'E' BODY HT. DIM.

2-7/8 [73]

PREFIXES

- ___ Z Type 304 (CF8) Stainless Steel Body and Top Assembly*
- ___ ZM Type 316 (CF8M) Stainless Steel Body and Top Assembly
- ___ ZL Type 316L (CF3M) Stainless Steel Body and Top Assembly

SUFFIXES

- ___ -K Seepage Holes Only
- ___ -KC Clamp Collar with Seepage Holes
- ___ -RD5 5 [127] Diameter Type 304 Stainless Steel Top
- ___ -RD7 7 [178] Diameter Type 304 Stainless Steel Top
- ___ -RD8 8 [203] Diameter Type 304 Stainless Steel Top
- ___ -RD10 10 [254] Diameter Type 304 Stainless Steel Top
- ___ -SG Solid Gasketed Cover
- ___ -V Bronze Backwater Valve
- ___ -VP Vandal-Proof Secured Top
- ___ -Y Stainless Steel Sediment Bucket

* Regularly furnished unless otherwise specified.