



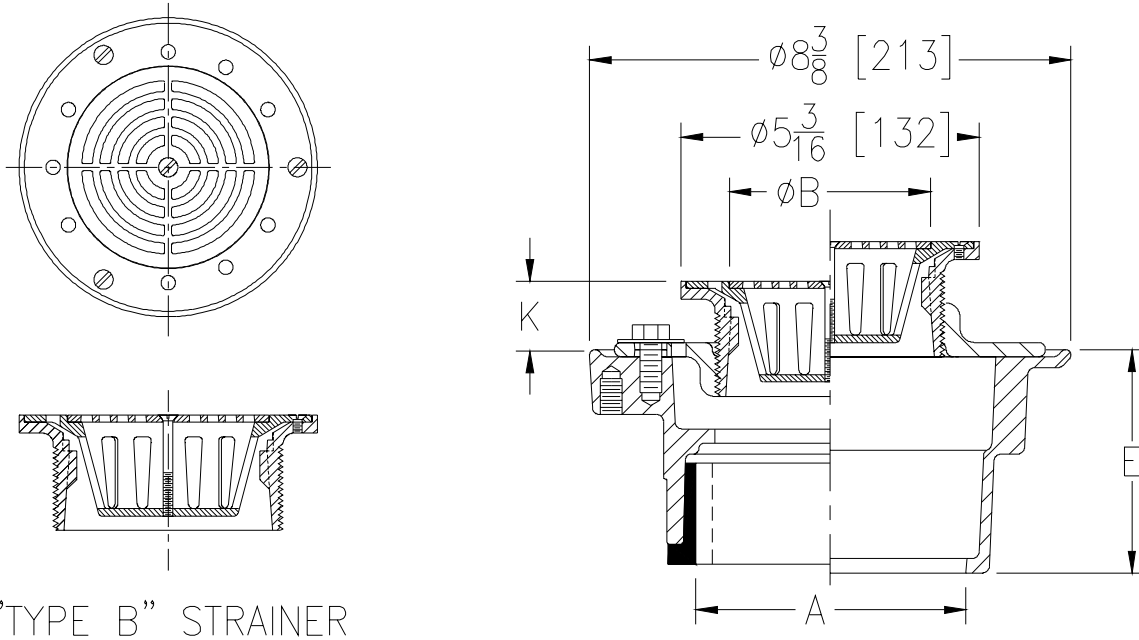
# Z415B-96

SPECIFICATION SHEET

## BODY ASSEMBLY W/ "TYPE B" STRAINER AND "SUR-SET" BUCKET

TAG \_\_\_\_\_

Dimensional Data (inches and [ mm ]) are Subject to Manufacturing Tolerances and Change Without Notice



"TYPE B" STRAINER

Dimensions In Inches					Approx. Wt. Lbs. [kg]	Strainer Open Area Sq. In. [cm <sup>2</sup> ]	
A - Pipe Size	B Strainer Dia.	K		K'			
		Min.	Max.	Min.	Max.		
2-3-4 [50-75-100]	3 1/2 [90]	1/2 [13]	1 5/8 [41]	1 3/8 [35]	2 3/8 [60]	11 [5]	4.5 [29]

**ENGINEERING SPECIFICATION:** ZURN ZN415B-96 Floor and shower drain, Dura-Coated cast iron body with bottom outlet, combination invertible membrane clamp and adjustable collar with seepage slots, "TYPE B" polished nickel bronze strainer and "Sur-Set" bucket.

**OPTIONS** (Check/specify appropriate options)

**PIPE SIZE**

- 2 thru 4 [50 thru 100]
- 2 thru 4 [50 thru 100]
- 2 [50]
- 3 [75]
- 4 [100]
- 2 thru 4 [50 thru 100]
- 2 thru 4 [50 thru 100]

(Specify size/type) **OUTLET**

- \_\_\_\_\_ IC Inside Caulk
- \_\_\_\_\_ IG Inside Gasket
- \_\_\_\_\_ IP Threaded
- \_\_\_\_\_ IP Threaded
- \_\_\_\_\_ IP Threaded
- \_\_\_\_\_ NH No-Hub
- \_\_\_\_\_ NL Neo-Loc

**'E' BODY HT. DIM.**

- 3 7/8 [98]
- 3 7/8 [98]
- 2 3/8 [60]
- 2 5/8 [67]
- 2 7/8 [73]
- 3 7/8 [98]
- 4 5/8 [117]

**PREFIXES**

- \_\_\_\_\_ ZB D.C.C.I. Body Assembly w/Polished Bronze Top
- \_\_\_\_\_ ZN D.C.C.I. Body Assembly w/Polished Nickel Bronze Top\*

**SUFFIXES**

- \_\_\_\_\_ -AA All Acid Resisting Epoxy
- \_\_\_\_\_ -AR Acid Resisting Epoxy Coated Cast Iron
- \_\_\_\_\_ -DP Decorative Polished Top
- \_\_\_\_\_ -G Galvanized Cast Iron
- \_\_\_\_\_ -P Trap Primer Connection (Specify 1/2 [13] or 3/4 [19])
- \_\_\_\_\_ -TC Neo-Loc Test Cap Gasket (2 [50] - 4 [100] NL Outlet Only)
- \_\_\_\_\_ -U 1 - 3 [25 - 76] High Extension Adapter
- \_\_\_\_\_ -VP Vandal-Proof Secured Top
- \_\_\_\_\_ -W Winter Closure Plug
- \_\_\_\_\_ -90 90° Threaded Side Outlet Body (2 [50], 3 [75] Only)

<b>REV. A</b>	<b>DATE: 1/14/04</b>	<b>C.N. NO. 91851</b>
<b>DWG. NO. P-15026 PRODUCT NO. Z415B-96</b>		

\*REGULARLY FURNISHED UNLESS OTHERWISE SPECIFIED