



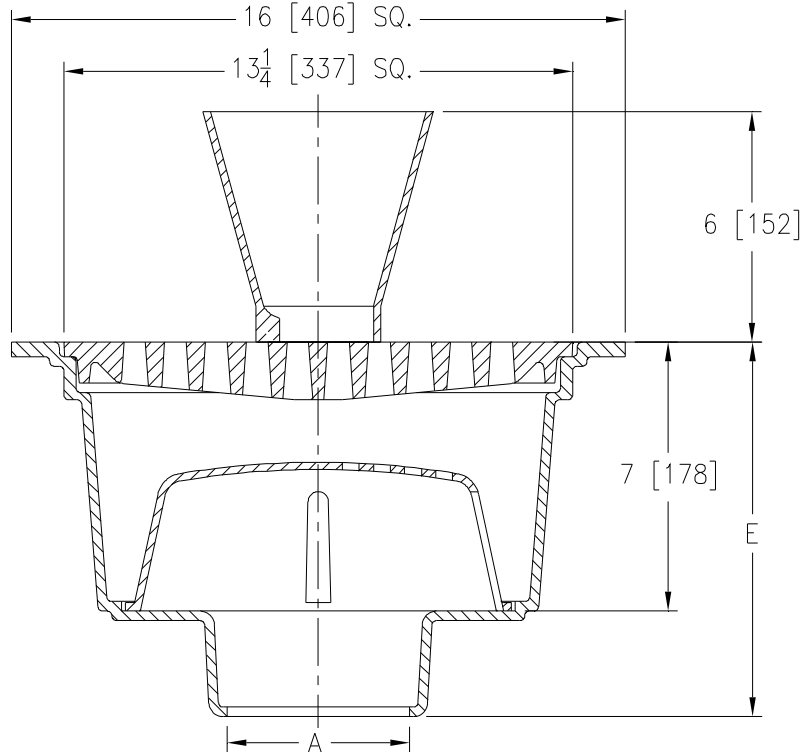
Z1920-6

16 X 16 [406 X 406] A.R.C. SANI-FLOR RECEPTOR 7 [178]
SUMP DEPTH W/ 6 [152] HIGH FUNNEL

SPECIFICATION SHEET

TAG _____

Dimensional Data (inches and [mm]) are Subject to Manufacturing Tolerances and Change Without Notice



A- Pipe Size In. [mm]	Approx Wt. Lbs. [kg]	Grate Open Area Sq. In. [cm ²]
2,3,4,6,8 [51,76,102,152,203]	86 [39]	54 [348]

ENGINEERING SPECIFICATION: ZURN Z1920-6

Sani-Flor Receptor 16" x 16" x 7" [406mm x 406mm x 178mm] deep cast iron body and square slotted heavy duty grate with 6" diameter x 6" high [152 mm x 152mm] funnel, with white acid resisting epoxy coated interior and top, complete with aluminum anti-splash interior bottom dome strainer.

OPTIONS (Check/specify appropriate options)

PIPE SIZE

2,3,4,6 [51,76,102,152]
8 [203]
2,3,4 [51,76,102]

(Specify size/type) OUTLET

___ IC Inside Caulk
___ IC Inside Caulk
___ NL Neo-Loc

'E' BODY HT. DIMENSION

Z	ZN
9-3/4 [248]	10 254]
10-1/4 [260]	10-1/2 [267]
9 [229]	9-3/16 [233]

PREFIXES

___ Z Cast Iron Body with White A.R.C. Interior*
___ ZN Cast Iron Body with White A.R.C. Interior, 16-3/4 [424] Square Nickel Bronze Frame and Full Grate

SUFFIXES

___ -K Anchor Flange with Seepage Holes	___ -11 Vandal-Proof Secured Grate
___ -KC Anchor Flange with Seepage Holes and Clamp Collar	___ -23 Aluminum Bucket
___ -LD Less Internal Bottom Dome Strainer	___ -25 White A.R.C. Bucket
___ -P 1/2 [13] Trap Primer Connection	___ -31 Stainless Steel Mesh Liner for Bucket
___ -TC Neo-Loc Test Cap Gasket	___ -33 White A.R.C. Anti-Splash Bottom Dome Strainer

(2, 3, 4 [51, 76, 102] NL Bottom Outlet Only)

* Regularly furnished unless otherwise specified.

Zurn Industries, LLC | Specification Drainage Operation
1801 Pittsburgh Avenue, Erie, PA U.S.A. 16502 · Ph. 855-663-9876, Fax 814-454-7929
In Canada | Zurn Industries Limited
3544 Nashua Drive, Mississauga, Ontario L4V 1L2 · Ph. 905-405-8272, Fax 905-405-1292
www.zurn.com

Rev. B
Date: 10/13/17
C.N. No. 138804
Prod. | Dwg. No. Z1920-6