



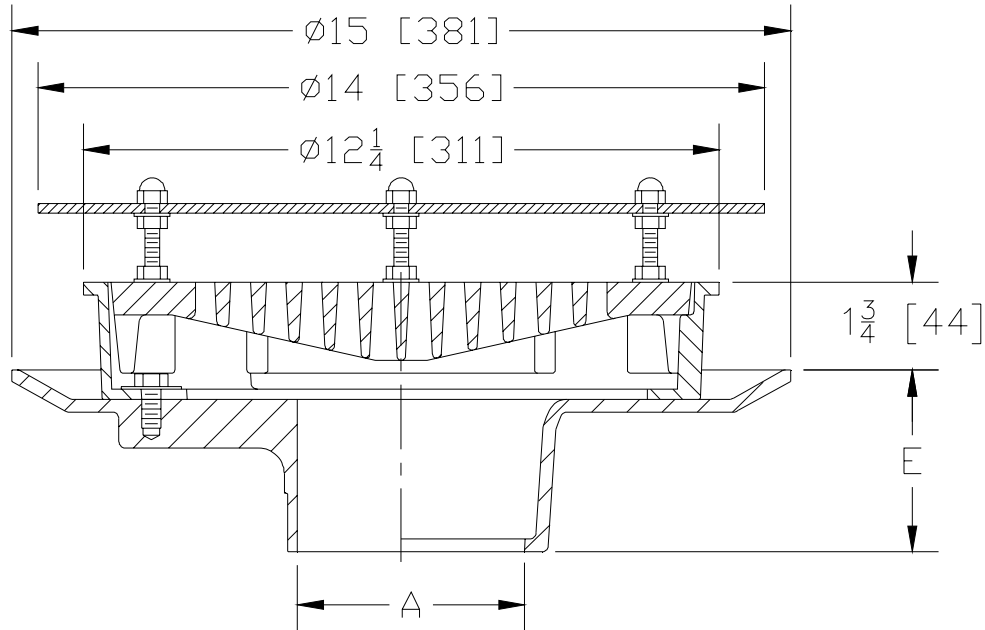
Z509-82

12 [305] HEAVY DUTY DRAIN W/ ANTI-VORTEX PLATE

SPECIFICATION SHEET

TAG _____

Dimensional Data (inches and [mm]) are Subject to Manufacturing Tolerances and Change Without Notice



A- Pipe Size In.	Approx. Wt. Lbs. [kg]	Grate Open Area Sq. In. [cm ²]
3-4-6 [76-102-152]	38 [17]	30 [194]

ENGINEERING SPECIFICATION: ZURN Z509-82
 12 [305] Diameter top drain with Anti-Vortex plate, Dura-Coated cast iron body with bottom outlet, seepage pan and combination membrane flashing clamp and frame for heavy duty tractor grate.

OPTIONS (Check/specify appropriate options)

PIPE SIZE	(Specify size/type) OUTLET	'E' BODY HT. DIM.
3-4-6 [76-102-152]	___ IC Inside Caulk	3 1/2 [89]
3-4-6 [76-102-152]	___ IG Inside Caulk w/Sealtrol Gskt.	3 1/2 [89]
3-4-6 [76-102-152]	___ IP Threaded	3 1/2 [89]
3-4-6 [76-102-152]	___ NH No-Hub	3 1/2 [89]
3-4 [76-102]	___ NL Neo-Loc	2 5/8 [67]

PREFIXES

- ___ Z D.C.C.I. Body and Top*
- ___ ZB D.C.C.I. Body with Polished Bronze Top (Add 3/16 [5] to 1 3/4 [44] Dim.)
- ___ ZN D.C.C.I. Body with Polished Nickel Bronze Top (Add 3/16 [5] to 1 3/4 [44] Dim.)

SUFFIXES

- | | |
|---|---|
| ___ -AR Acid Resisting Epoxy Coated Cast Iron | ___ -TS Top Secured with Slotted Screws |
| ___ -DG Duresist Grate | ___ -V Backwater Valve (See Z1099) |
| ___ -DX Dex-O-Tex Flange | ___ -VP Vandal-Proof Secured Top |
| ___ -G Galvanized Cast Iron | ___ -Y Sediment Bucket |
| ___ -HP Heel-Proof Grate | ___ -90 90° Threaded Side Outlet Body |
| ___ -P Trap Primer Connection | |
| ___ -PH Grate with 3/8 [9] dia. Openings (Z only) | |
| ___ -S Secondary Strainer | |
| ___ -T Square Top | |
| ___ -TC Neo-Loc Test Cap Gasket
(3 [76]-4 [102] NL Bottom Outlet Only) | |

REV.	DATE: 9/30/09	C.N. NO. 110260
DWG. NO. P-15770 PRODUCT NO. Z509-82		

*REGULARLY FURNISHED UNLESS OTHERWISE SPECIFIED