

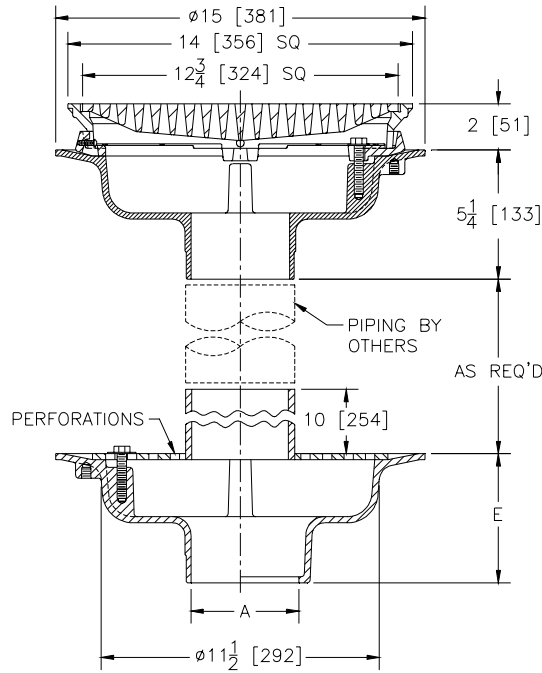


**Z-150-118**  
**14" [356] ISOLATION TOP PROM-DECK DRAIN**  
**WITH HEEL-PROOF GRATE**

SPECIFICATION SHEET

TAG \_\_\_\_\_

Dimensional Data (inches and [mm]) are Subject to Manufacturing Tolerances and Changes Without Notice



A- Pipe Size In.	Approx. Wt. Lbs. [kg]	Grate Open Area Sq. In. [cm <sup>2</sup> ]
2-3-4 [50-75-100]	86 [39]	44 [284]
5-6 [125-150]		
8 [200]	87 [39]	

**ENGINEERING SPECIFICATION: ZURN Z-150-118 14 [356] Top Prom-Deck drain. Dura-Coated cast iron upper and lower bodies. Lower body with perforated clamp collar and no-hub standpipe. Upper body with no-hub bottom outlet, promenade frame and heavy duty, heel-proof grate with combination membrane flashing clamp/gravel guard.**

**OPTIONS (Check/specify appropriate options)**

**PIPE SIZE**

**(Specify size/type) OUTLET**

**E BODY HT. DIM.**

2 thru 6, 8 [50 thru 150, 200]	___ IC Inside Caulk	5 1/4 [133]
2 thru 6, 8 [50 thru 150, 200]	___ IP Threaded	3 3/4 [95]
2 thru 6, 8 [50 thru 150, 200]	___ NH No-Hub	5 1/4 [133]
2, 3, 4 [50, 75, 100]	___ NL Neo-Loc	4 5/8 [117]

**PREFIXES**

- \_\_\_ Z- D.C.C.I. Body with Grate\*
- \_\_\_ ZB- D.C.C.I. Body with Polished Bronze Grate (Add 3/16 [5] to 2 [51] Dim & 3/8 [10] to 14 [356] Dim.)
- \_\_\_ ZN- D.C.C.I. Body with Polished Nickel Bronze Grate (Add 3/16 [5] to 2 [51] Dim. & 3/8 [10] to 14 [356] Dim.)

**SUFFIXES**

- |  |  |
|--|--|
| ___ -AR Acid Resistant Epoxy Coated Finish                       | ___ -R Roof Sump Receiver                    |
| ___ -C Underdeck Clamp   | ___ -S Secondary Strainer                    |
| ___ -DB Deep Sump Body (See Z-104)                               | ___ -SC Secondary Clamping Collar            |
| ___ -DG Duresist Grate   | ___ -TS Secured Top With Slotted Screws      |
| ___ -DX Dex-o-tex Flange   | ___ -VP Vandal Proof Secured Top             |
| ___ -E Static Extension 1 [25] thru 4 [102] (Specify Ht.)        | ___ -XJ Vertical Expansion Joint (See Z-190) |
| ___ -EA Adjustable Extension Assembly 1 3/4 [44] thru 3 1/2 [89] | ___ -Y Sediment Bucket                       |
| ___ -G Galvanized Cast Iron                                      | ___ -85 Stainless Steel Perforated Extension |
|  | ___ -90 90° Threaded Side Outlet             |

REV.                      DATE: 7/30/02                      C.N. NO. 89710

DWG. NO. P-14918    PRODUCT NO. Z-150-118

\*REGULARLY FURNISHED UNLESS OTHERWISE SPECIFIED