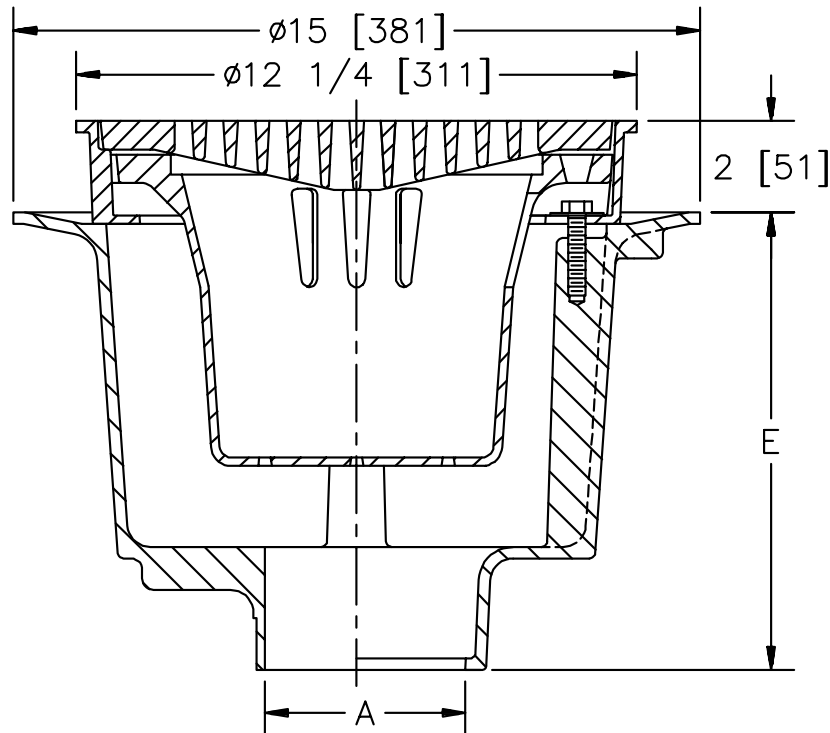




Z-539-79
12" [305] STAINLESS STEEL
HEAVY DUTY DRAIN WITH DEEP SUMP

TAG _____

Dimensional Data (inches and [mm]) are Subject to Manufacturing Tolerances and Change Without Notice



A- Pipe Size In.	Approx. Wt. Lbs. [kg]	Grate Open Area Sq. In. [cm ²]
3-4-5-6 [75-100-125-150]	68 [31]	30 [194]
8 [200]		

ENGINEERING SPECIFICATION: ZURN Z-539-79 12 [305] Diameter top drain. CF8M type 316 Stainless Steel deep sump body with bottom outlet, seepage pan and combination membrane flashing clamp and frame for sediment bucket and heavy duty slotted grate.

OPTIONS (Check/specify appropriate options)

PIPE SIZE

- 3 thru 6 [75 thru 150]
- 3 thru 6 [75 thru 150]
- 3 thru 6, 8 [75 thru 150, 200]

(Specify size/type) **OUTLET**

- ___ IC Inside Caulk
- ___ IG Inside Caulk w/Sealtrol Gskt.
- ___ NH No-Hub

'E' BODY HT. DIM.

- 10 [254]
- 10 [254]
- 10 [254]

SUFFIXES

- ___ -FY Free Standing Bucket
- ___ -T Square Top
- ___ -VP Vandal Proof Secured Top

REV.	DATE: 10/7/96	C.N. NO. 76103
DWG. NO. P-14397 PRODUCT NO. Z-539-79		

*REGULARLY FURNISHED UNLESS OTHERWISE SPECIFIED