



# Z415B-117

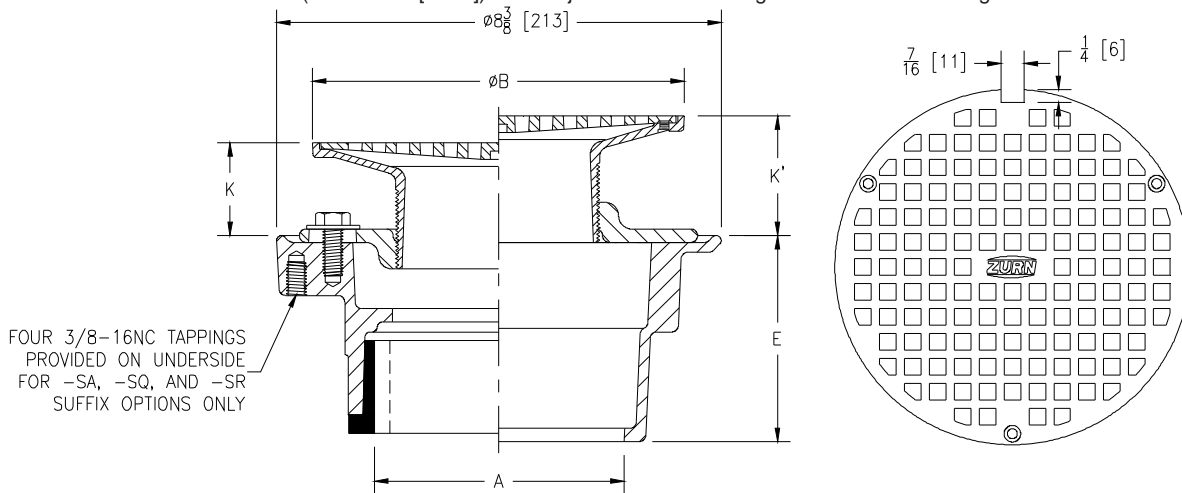
## BODY ASSEMBLY

### W/ "TYPE B" STRAINER AND SCREWDRIVER SLOT

SPECIFICATION SHEET

TAG \_\_\_\_\_

Dimensional Data (inches and [ mm ]) are Subject to Manufacturing Tolerances and Change Without Notice



Dimensions In Inches						Approx. Wt. Lbs. [kg]	Strainer Open Area Sq. In. [cm <sup>2</sup> ]
A Pipe Size	B Strainer Dia.	K		K'			
		Min.	Max.	Min.	Max.		
2-3 [51-76]	5 [127]	1 [25]	1-1/2 [38]	1-3/32 [28]	2-1/4 [57]	11 [5]	8 [52]
2-3-4 [51-76-102]	6 [152]	1 [25]	1-25/32 [45]	1-13/32 [36]	2-17/32 [64]	13 [6]	9 [58]
2-3-4 [51-76-102]	7 [178]	1 [25]	2-1/8 [54]	1-23/32 [44]	2-7/8 [73]	14 [6]	12 [77]
3-4 [76-102]	8 [203]	1-5/32 [30]	2-1/8 [54]	1-3/4 [44]	2-7/8 [73]	16 [7]	18 [116]
6 [152]	8 [203]	1-5/32 [30]	2-1/8 [54]	1-3/4 [44]	2-7/8 [73]	18 [8]	18 [116]
6 [152]	10 [254]	1-7/16 [37]	2-1/2 [64]	2 [51]	3-1/4 [83]	22 [10]	26 [168]

**ENGINEERING SPECIFICATION: ZURN ZN415B-117**

Floor and shower drain, Dura-Coated cast iron body with bottom outlet, combination invertible membrane clamp and adjustable collar with seepage slots and "TYPE B" polished nickel bronze, light-duty strainer with screwdriver lift slot.

**OPTIONS** (Check/specify appropriate options)

**PIPE SIZE**

- 2 thru 4 [51 thru 102]
- 2 thru 4 [51 thru 102]
- 2 [51]
- 3 [76]
- 4 [102]
- 6 [152]
- 2 thru 4 [51 thru 102]
- 2 thru 4 [51 thru 102]

(Specify size/type) **OUTLET**

- \_\_\_\_\_ IC Inside Caulk
- \_\_\_\_\_ IG Inside Gasket
- \_\_\_\_\_ IP Threaded
- \_\_\_\_\_ IP Threaded
- \_\_\_\_\_ IP Threaded
- \_\_\_\_\_ IP Threaded
- \_\_\_\_\_ NH No-Hub
- \_\_\_\_\_ NL Neo-Loc

**'E' BODY HT. DIM.**

- 3-7/8 [98]
- 3-7/8 [98]
- 2-3/8 [60]
- 2-5/8 [67]
- 2-7/8 [73]
- 2-3/4 [70]
- 3-7/8 [98]
- 3-3/4 [95]

**PREFIXES**

- \_\_\_\_\_ ZB D.C.C.I. Body Assembly w/ Polished Bronze Top
- \_\_\_\_\_ ZN D.C.C.I. Body Assembly w/ Polished Nickel Bronze Top\*

**SUFFIXES**

- |  |  |
|--|--|
| _____ -AA All Acid Resisting Epoxy                                   | _____ -SR Stabilizer Ring  |
| _____ -AR Acid Resisting Epoxy Coated Cast Iron                      | _____ -TC Neo-Loc Test Cap Gasket (2-4 [51-102] NL Outlet Only)        |
| _____ -C Clamp Collar for -90 Side Outlet Body                       | _____ -U 1 - 3 [25 - 76] High Extension Adapter                        |
| _____ -CP Chrome-Plated Bronze Top                                   | _____ -V Backwater Valve   |
| _____ -DC Debris Cover (Field Assembled)                             | _____ -VP Vandal-Proof Secured Top                                     |
| _____ -DP Decorative Polished Top                                    | _____ -W Winter Closure Plug   |
| _____ -EF 3/8 [16] Extension Frame                                   | _____ -Y Sediment Bucket   |
| _____ -G Galvanized Cast Iron  | _____ -4 4 [102] Diameter Funnel (Z328)                                |
| _____ -HD Heavy-Duty Slotted Grate (ZN 5 [127] & 6 [152] Sizes Only) | _____ -18 Leveling Ring (See Z400-18)                                  |
| _____ -OF Oval Funnel (Z329-7) (6 - 10 [152 - 254] Strainers Only)   | _____ -90 90° Threaded Side Outlet Body Assembly (2 [51], 3 [76] Only) |
| _____ -P Trap Primer Connection (Specify 1/2 [13] or 3/4 [19])       |  |
| _____ -SA Stabilizer Assembly (See Z1035)                            |  |
| _____ -SQ Stabilizer Q-Deck (See Z1035-Q)                            |  |

\*REGULARLY FURNISHED UNLESS OTHERWISE SPECIFIED

REV.	DATE: 08/02/11	C.N. NO. 121799
DWG. NO. 306969	PRODUCT NO. Z415B-117	

ZURN INDUSTRIES, LLC ♦ SPECIFICATION DRAINAGE OPERATION ♦ 1801 Pittsburgh Ave. ♦ Erie, PA 16514

Phone: 814/455-0921 ♦ Fax: 814/454-7929 ♦ World Wide Web: www.zurn.com

In Canada: ZURN INDUSTRIES LIMITED ♦ 3544 Nashua Drive ♦ Mississauga, Ontario L4V1L2 ♦ Phone: 905/405-8272 Fax: 905/405-1292