



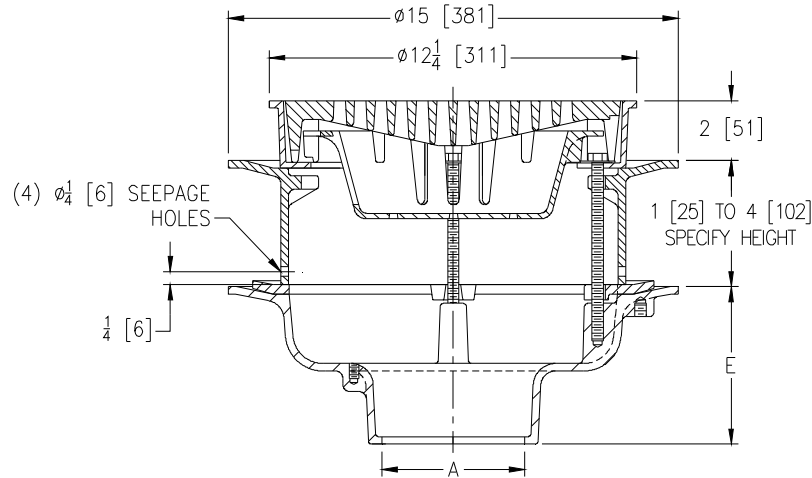
Z541-121

12 [305] DIAMETER HEAVY DUTY DRAIN W/ STATIC EXTENSION & SECONDARY CLAMP COLLAR

SPECIFICATION SHEET

TAG _____

Dimensional Data (inches and [mm]) are Subject to Manufacturing Tolerances and Change Without Notice



A-Pipe Size In. [mm]	Approx. Wt. Lbs. [kg]	Grate Open Area Sq. In. [cm ²]
2,3,4,5,6 [51,76,102,127,152]	62 [28]	30 [194]
8, 10 [203, 254]	64 [29]	

ENGINEERING SPECIFICATION: ZURN Z541-121

12" [305mm] Diameter top drain, Dura-Coated cast iron body with bottom outlet, secondary clamping collar, static extension with seepage holes, seepage pan and combination membrane flashing clamp frame and heavy-duty slotted grate with suspended sediment bucket.

OPTIONS (Check/specify appropriate options)

PIPE SIZE

2,3,4,5,6,8,10 [51,76,102,127,152,203,254]
 2,3,4,6 [51,76,102,152]
 2,3,4,5,6,8,10 [51,76,102,127,152,203,254]
 2,3,4,5,6,8,10 [51,76,102,127,152,203,254]
 2,3,4 [51,76,102]

(Specify size/type) OUTLET

___ IC Inside Caulk
 ___ IG Inside Gasket
 ___ IP Threaded
 ___ NH No-Hub
 ___ NL Neo-Loc

'E' BODY HT. DIM.

5-1/4 [133]
 5-1/4 [133]
 3-3/4 [95]
 5-1/4 [133]
 4-5/8 [117]

PREFIXES

___ Z D.C.C.I. Body and Top*
 ___ ZB D.C.C.I. Body with Polished Bronze Top (add 3/16 [5] to 2 [51] dim)
 ___ ZN D.C.C.I. Body with Polished Nickel Bronze Top (add 3/16 [5] to 2 [51] dim)

SUFFIXES

___ -AR Acid Resisting Epoxy Coated Cast Iron	___ -SS Stainless Mesh Liner for Bucket
___ -D Dome Grate (D.C.C.I. Only)	___ -TC Neo-Loc Test Cap Gasket (2,3,4 [50,76,102] NL Bottom Outlet Only)
___ -DG Duresist Grate	___ -TG Tractor Grate
___ -DX Dex-o-tex Flange (See Z532)	___ -TS Top Secured with Slotted Screws
___ -G Galvanized Cast Iron	___ -V Backwater Valve (See Z1099)
___ -H Hinged Grate	___ -VP Vandal-Proof Secured Top
___ -HP Heel-Proof Grate	___ -WS Wide Slotted Grate (50 Sq. In. [323] Open)
___ -LY (Less) Bucket	___ -90 90° Threaded Side Outlet Body (2,3,4,5,6 [50,76,102,127,152])
___ -P Trap Primer Connection	
___ -PH Packing House Grate	
___ -S Secondary Strainer	

* Regularly furnished unless otherwise specified.