



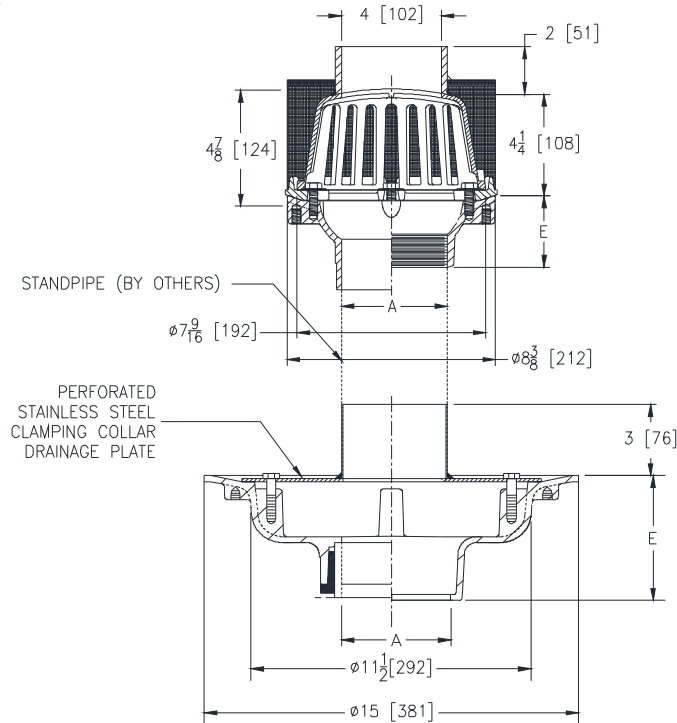
Z125-115

8-3/8 [213] DIAMETER ROOF DRAIN W/ MESH SCREEN OVER DOME, STANDPIPE ADAPTER, AND 15 [381] LOWER BODY W/ ADAPTOR

SPECIFICATION SHEET

TAG _____

Dimensional Data (inches and [mm]) are Subject to Manufacturing Tolerances and Change Without Notice



Dimensions In Inches [mm]	Approx. Wt. Lbs. [kg]	Strainer Open Area Sq. In. [cm ²]
A - Pipe Size		
2,3,4 [51,76,102]	40 [17]	53 [342]

ENGINEERING SPECIFICATION: ZURN Z125-115

8-3/8" [213 mm] Diameter roof drain. Dura-Coated cast iron body with combination membrane flashing clamp/gravel guard, low silhouette dome with 4" [102 mm] standpipe and stainless steel mesh screen over dome. 15 [381] diameter lower drain body with perforated stainless steel plate and no-hub adaptor.

OPTIONS (Check/specify appropriate options)

PIPE SIZE

- 2, 3, 4 [51, 76, 152]
- 2, 3, 4 [51, 76, 152]
- 2, 3, 4 [51, 76, 152]
- 2, 3, 4 [51,76,102]

(Specify size/type) OUTLET

- _____ IC Inside Caulk
- _____ IP Threaded
- _____ NH No-Hub
- _____ NL Neo-Loc

E BODY HT. DIM.

- 5-1/4 [133]
- 3-3/4 [95]
- 5-1/4 [133]
- 4-9/16 [116]

PREFIXES

- _____ ZB D.C.C.I. Body Assembly w/ Polished Bronze Top
- _____ ZN D.C.C.I. Body Assembly w/ Polished Nickel Bronze Top*

SUFFIXES

- _____ -AR Acid Resistant Epoxy Coated Cast Iron
- _____ -C Underdeck Clamp (Lower Body)
- _____ -DP Top-Set® Deck Plate (Replaces both the -C and -R) (Lower Body)
- _____ -E 2 [51] High Static Extension
- _____ -G Galvanized Cast Iron
- _____ -R Roof Sump Receiver (Lower Body)
- _____ -TC Neo-Loc Test Cap Gasket (2,3,4 [51,76,102] NL outlet only)
- _____ -VP Vandal Proof Secured Top
- _____ -84 Stainless Steel Perforated Gravel Guard
- _____ -85 Stainless Steel Perforated Extension (Specify Height, Lower Body)
- _____ -90 90 Threaded Side Outlet Body (2,3,4,6 [51,76,102,152] Outlets only, Lower Body)

* Regularly furnished unless otherwise specified.