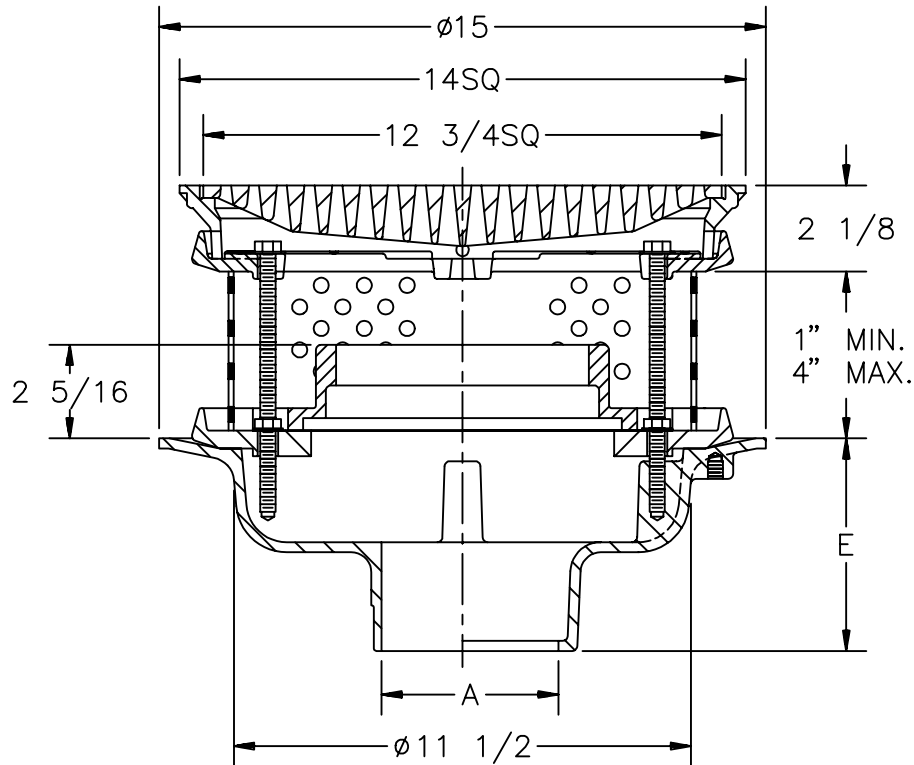




Z-150-97 14" PROM-DECK DRAIN FOR ROOF MEMBRANE SYSTEM

TAG _____

Dimensions Subject to Manufacturing Tolerances



A- Pipe Size In.	Approx. Wt. Lbs.	Grate Open Area Sq. In.
2-3-4	57	44
5-6		
8	59	
10		

ENGINEERING SPECIFICATION: ZURN Z-150-97 14" Prom-Deck drain, Dura-Coated cast iron body, clamping collar, promenade frame, heavy-duty heel proof grate with combination membrane flashing clamp/gravel guard perforated stainless steel extension and aluminum 2" high internal water dam.

OPTIONS (Check/specify appropriate options)

OUTLET (Specify type)

- _____ **IC** Inside Caulk
- _____ **IG** Inside Caulk w/Sealtrol Gskt.
- _____ **IP** Threaded
- _____ **NH** No-Hub
- _____ **NL** Neo-Loc

PIPE SIZE (Specify size)

- _____ 2" thru 6", 8", 10"
- _____ 2" thru 4", 6"
- _____ 2" thru 6", 8", 10"
- _____ 2" thru 6", 8", 10"
- _____ 2" thru 4"

'E' BODY HT. DIMENSION

- 5-1/4"
- 5-1/4"
- 3-3/4"
- 5-1/4"
- 4-5/8"

PREFIXES

- _____ **Z-** D.C.C.I. Body with Grate*
- _____ **ZB-** D.C.C.I. Body with Polished Bronze Grate (Add 3/16" to 2" Dim & 3/8" to 14" Dim.)
- _____ **ZN-** D.C.C.I. Body with Polished Nickel Bronze Grate (Add 3/16" to 2" Dim. & 3/8" to 14" Dim.)

SUFFIXES

- _____ **-C** Underdeck Clamp
- _____ **-DB** Deep Sump Body
- _____ **-DG** Duresist Grate
- _____ **-DX** Dex-o-tex Flange
- _____ **-G** Galvanized Cast Iron
- _____ **-R** Roof Sump Receiver
- _____ **-VP** Vandal Proof Secured Top
- _____ **-XJ** Vertical Expansion Joint (See Z-190)
- _____ **-90** 90° Threaded Side Outlet Body (2" thru 6") (Previously Z-153)

*REGULARLY FURNISHED UNLESS OTHERWISE SPECIFIED

REV. _____	DATE: 5/20/93	C.N. NO. 69045
DWG. NO. P-13819	PRODUCT NO. Z-150-97	