



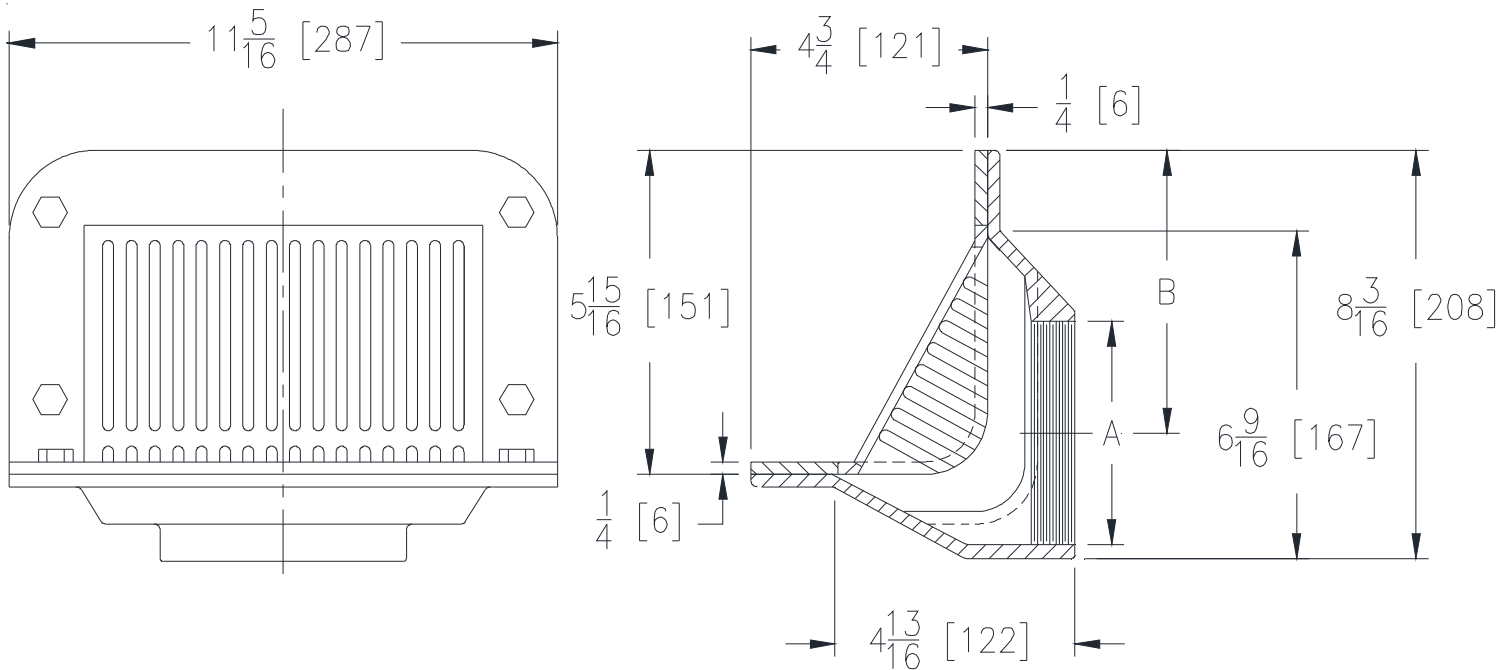
# Z189-88

5 x 6 x 11 [127 x 152 x 279] SCUPPER DRAIN  
W/ OBLIQUE STAINLESS STEEL GRATE & 90 DEGREE  
OUTLET

SPECIFICATION SHEET

TAG \_\_\_\_\_

Dimensional Data (inches and [ mm ]) are Subject to Manufacturing Tolerances and Change Without Notice



Dimensions In Inches [mm]	Approx. Wt. Lbs. [kg]	Grate Open Area Sq. In. [cm <sup>2</sup> ]
A-Pipe Size		
2 [51]	18 [8]	20 [129]
3 [76]		
4 [102]		

**ENGINEERING SPECIFICATION: ZURN Z189-88**

5 x 6 x 11 [127 x 152 x 279] Scupper drain, Dura-Coated cast iron body with 90° outlet and stainless steel oblique grate with combination frame and membrane flashing clamp.

**OPTIONS** (Check/specify appropriate options)

**OUTLET** (Specify type)  
 \_\_\_\_\_ IP      Threaded

**PIPE SIZE** (Specify size)  
 \_\_\_\_\_ 2,3,4 [51,76,102]

**BODY HT.  
DIMENSION**  
 See Chart

**PREFIXES**  
 \_\_\_\_\_ ZS      D.C.C.I. Body with Stainless Steel Grate\*

**SUFFIXES**  
 \_\_\_\_\_ -DA      Downspout Adapter  
 \_\_\_\_\_ -G      Galvanized Cast Iron  
 \_\_\_\_\_ -VP      Vandal Proof Secured Top

\* Regularly furnished unless otherwise specified.