

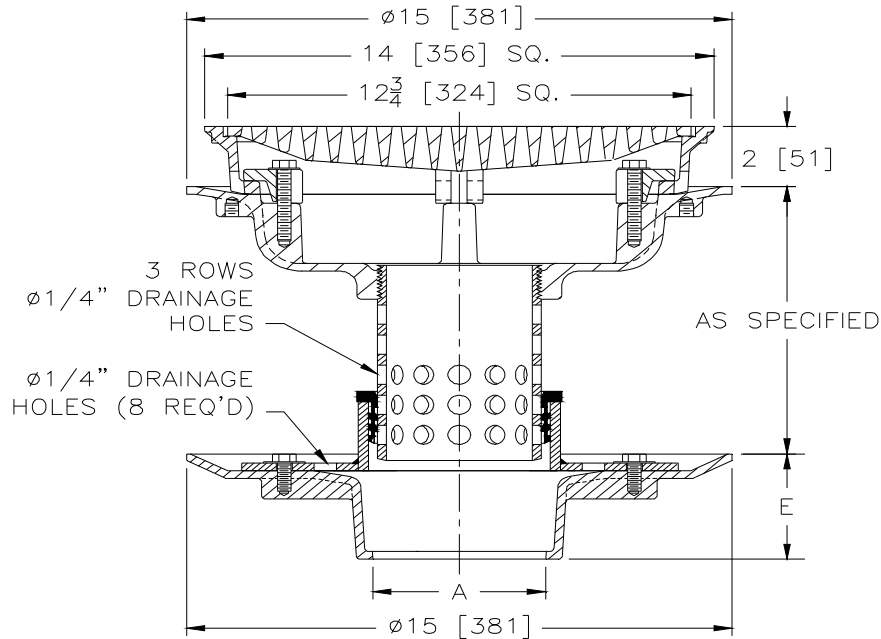


Z150-134

COMBINATION 14 [356] SQUARE TOP PROM-DECK DRAIN & SHALLOW BODY ISOLATION DECK DRAIN

TAG _____

Dimensional Data (inches and [mm]) are Subject to Manufacturing Tolerances and Changes Without Notice



A- Pipe Size In.	Approx. Wt. Lbs. Less Nipple [kg]	Grate Open Area Sq. In. [cm ²]
3-4-6 [76-102-152]	85 [39]	44 [284]

ENGINEERING SPECIFICATION: ZURN Z150-134

Combination 14 [356] square top prom-deck drain and shallow body isolation deck drain. Dura-coated cast iron upper body with rotatable square promenade frame, frame clamps, and heavy-duty heel-proof grate. Complete with perforated isolation nipple, neoprene flex gasket, perforated clamp collar, and dura-coated cast iron shallow lower drain body.

OPTIONS (Check/specify appropriate options)

PIPE SIZE

- 3-4-6 [76-102-152]
- 3-4-6 [76-102-152]
- 3-4-6 [76-102-152]
- 3-4-6 [76-102-152]
- 3-4 [76-102]

(Specify size/type) OUTLET

- ___ IC Inside Caulk
- ___ IG Inside Caulk w/Sealtrol Gskt.
- ___ IP Threaded
- ___ NH No-Hub
- ___ NL Neo-Loc

'E' BODY HT. DIM.

- 3 1/2 [89]
- 3 1/2 [89]
- 3 1/2 [89]
- 3 1/2 [89]
- 2 5/8 [67]

PREFIXES

- ___ Z D.C.C.I. Body with Top*
- ___ ZB D.C.C.I. Body with Polished Bronze Top (Add 3/16 [5] to 2 [51] Dim & 3/8 [10] to 14 [356] Dim.)
- ___ ZN D.C.C.I. Body with Polished Nickel Bronze Top (Add 3/16 [5] to 2 [51] Dim. & 3/8 [10] to 14 [356] Dim.)

SUFFIXES

- ___ -AR Acid Resistant Epoxy Coated
- ___ -DG Duresist Grate
- ___ -DT Decorative Polished Top (ZB and ZN Only)
- ___ -DX Dex-o-tex Flange (Upper Body)
- ___ -E Static Extension 1 [25] thru 4 [102] (Specify Ht.)
- ___ -EA Adjustable Extension Assembly (Upper Body) 2 1/8 [54] thru 3 1/2 [89]
- ___ -ES Static Extension with Secondary Clamp Collar at Body (For Clamping at Roof Drain Body) (Upper Body)
- ___ -G Galvanized Cast Iron
- ___ -S Secondary Strainer
- ___ -SC Secondary Clamping Collar (Upper Body)
- ___ -SD Longer Standpipe (Specify Height Req'd)
- ___ -TS Secured Top with Slotted Screws
- ___ -VP Vandal-Proof Secured Top
- ___ -Y Sediment Bucket
- ___ -85 Stainless Steel Perforated Extension (Upper Body)

*REGULARLY FURNISHED UNLESS OTHERWISE SPECIFIED

REV. DATE: 6/13/11 C.N. NO. 121398

DWG. NO. 306248 PRODUCT NO. Z150-134