



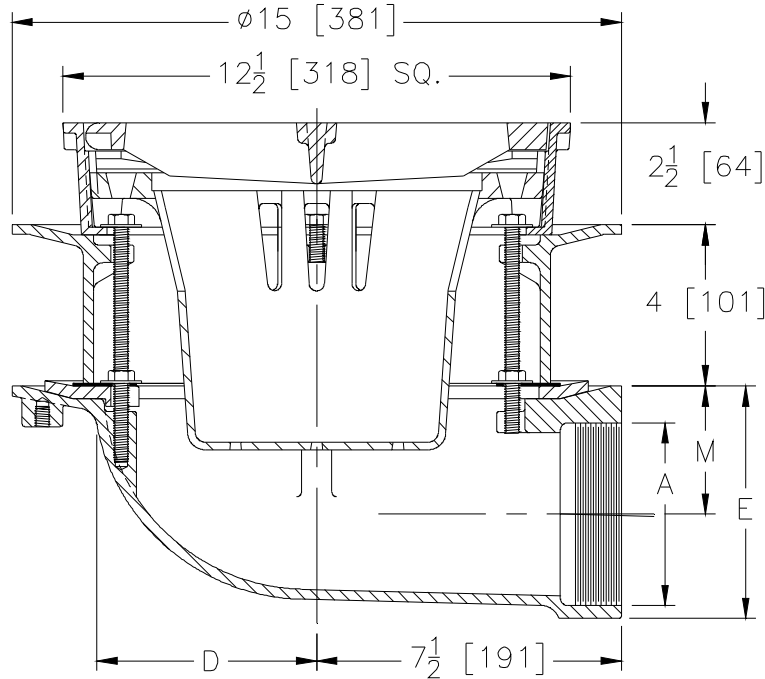
Z610-116

SPECIFICATION SHEET

12 1/2 [318] SQUARE TOP HEAVY-DUTY DRAIN W/ SIDE
OUTLET, 4 [102] EXTENSION, AND DEEP SEDIMENT BUCKET

TAG _____

Dimensional Data (inches and [mm]) are Subject to Manufacturing Tolerances and Change Without Notice



Dimensions In Inches			Approx. Wt. Lbs. [kg]	Grate Open Area Sq. In [cm ²]
A Pipe Size	D	M		
2 [51]	5 7/16 [138]	4 1/4 [108]	92 [42]	40 [258]
3 [76]		3 11/16 [94]	90 [41]	
4 [102]	3 3/16 [81]	91 [41]		
5 [127]	5 1/2 [140]	4 13/16 [122]	98 [44]	
6 [152]		4 1/4 [108]	97 [44]	

SUFFIXES

- ___ -AR Acid Resistant Epoxy Coated Cast Iron
- ___ -DG Duresist Grate
- ___ -DS Ductile Iron Solid Cover
- ___ -DX Dex-o-tex Flange (ZB, ZN Only)
- ___ -G Galvanized Cast Iron
- ___ -H Hinged Grate
- ___ -HC Hinged Solid Cover
- ___ -HL Hinged Locking Grate
- ___ -HLC Hinged Locking Cover
- ___ -LY (Less) Sediment Bucket
- ___ -SC Solid Cover
- ___ -SS Stainless Steel Mesh Liner for Bucket
- ___ -TS Top Secured with Slotted Screws
- ___ -VP Vandal-Proof Secured Top

ENGINEERING SPECIFICATION: ZURN Z610-116

12 1/2 [318] Square top heavy-duty drain. Dura-Coated cast iron body with side outlet, seepage pan and combination membrane flashing clamp, 4 [102] extension frame with secondary clamp collar, frame for heavy-duty cast iron loose slotted grate with deep sediment bucket.

OPTIONS (Check/specify appropriate options)

PIPE SIZE

2, 3, 4 [51 thru 102]
5, 6 [127, 152]

(Specify size/type) OUTLET

___ IP Threaded
___ IP Threaded

E BODY HT. DIM.

5 3/4 [146]
7 7/8 [200]

PREFIXES

- ___ Z D.C.C.I. Body and Grate*
- ___ ZB D.C.C.I. Body with Polished Bronze Top (Add 3/16 [5] to 2 1/2 [63] Dim. and 3/4 [19] to 12 1/2 [317] Dim.)
- ___ ZN D.C.C.I. Body with Polished Nickel Bronze Top (Add 3/16 [5] to 2 1/2 [63] Dim. and 3/4 [19] to 12 1/2 [317] Dim.)

REV. DATE: 9/17/09 C.N. NO. 110225

DWG. NO. P-15761 PRODUCT NO. Z610-116

*REGULARLY FURNISHED UNLESS OTHERWISE SPECIFIED