



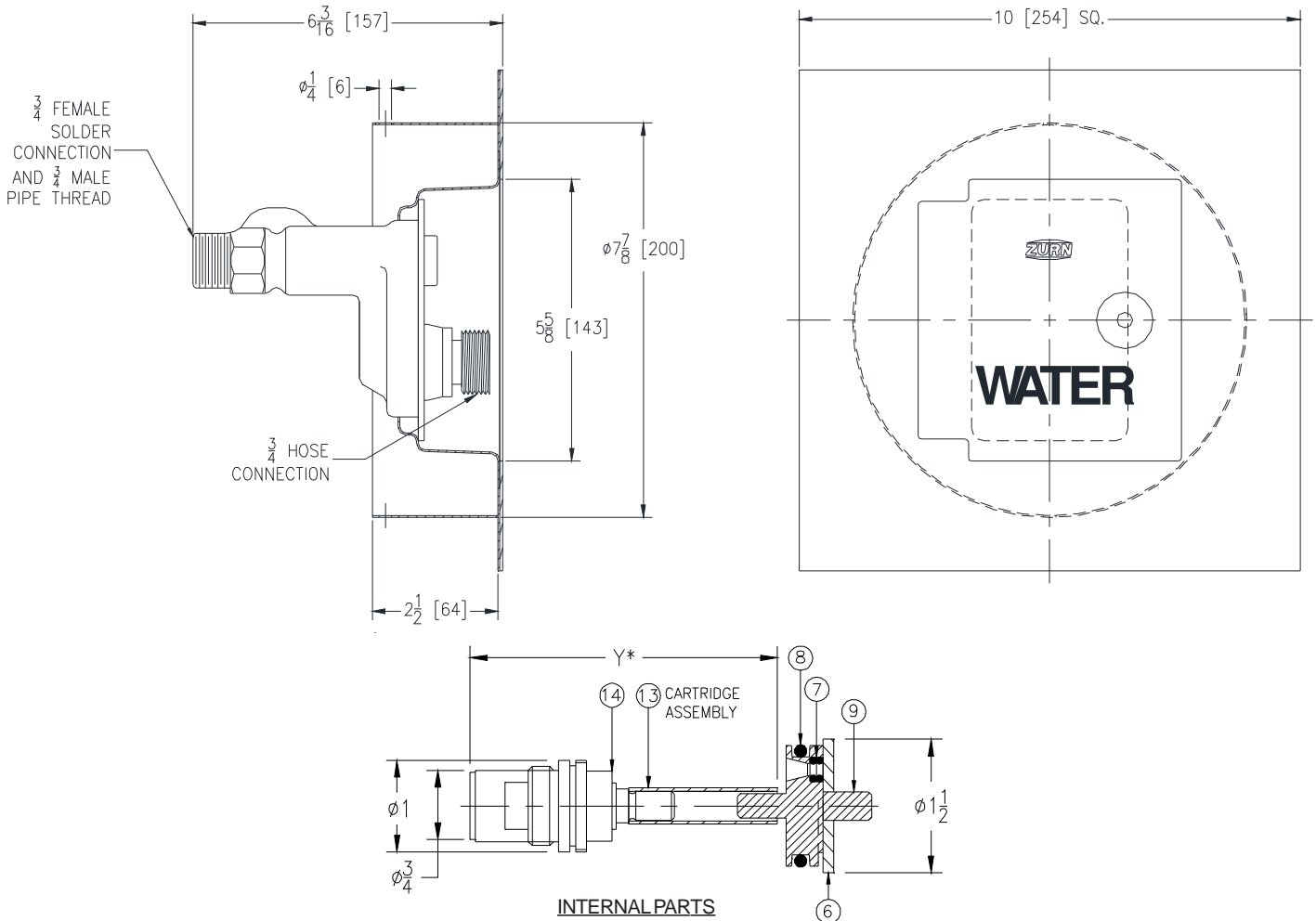
Z1332-EZ-8

ECOLOtrol CERAMIC DISC WALL HYDRANT
ENCASED, ANTI-SIPHON, AUTOMATIC DRAINING,
MODERATE CLIMATE

SPECIFICATION SHEET

TAG _____

Dimensional Data (inches and [mm]) are Subject to Manufacturing Tolerances and Change Without Notice



Wall Thickness In [mm]	Approx. Wt. Lbs. [kg]
8 [203]	4 [2]

ENGINEERING SPECIFICATION: ZURN Z1332-EZ-8

Encased Ecolotrol "anti-siphon" moderate climate/interior wall hydrant. For flush installation in 8" [203mm] dia. cored hole concrete wall. Complete with integral backflow preventer, all bronze interior parts with 1/2 turn ceramic disk cartridge and combination 3/4" female solder and 3/4" male pipe thread inlet. Stainless steel large flange box and hinged cover with operating key lock and "WATER" stamped on cover.

OPTIONS (Check/specify appropriate options)

SUFFIXES

- _____ -CL Cylinder Lock
- _____ -RK Hydrant Parts Repair Kit
- _____ -RT12 Ceramic Cartridge Removal Tool (Up to 12 [305] Wall)

PARTS LIST

Item	Name	Quan.
14	Cartridge	1
13	Operating Tube	1
9	Operating Coupling	1
8	O-Ring	1
7	O-Ring	2
6	Retaining Washer	1



PAT. NO. 7,395,834

* Regularly furnished unless otherwise specified.