



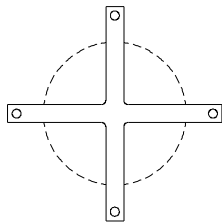
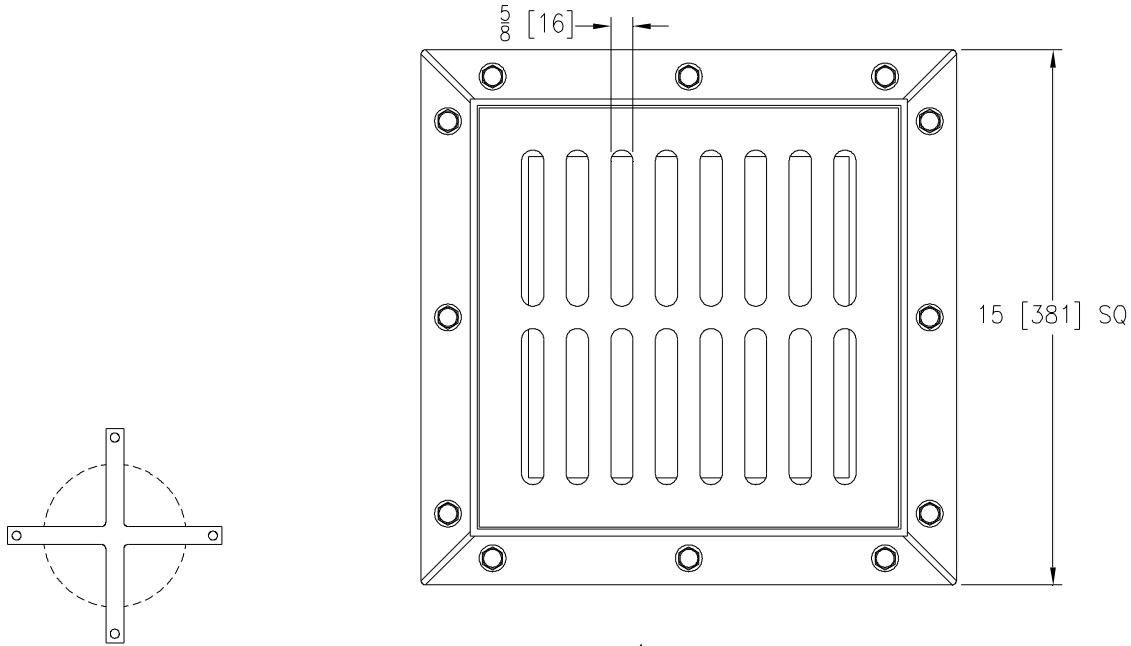
# Z1751-78

12 1/4 x 12 1/4 [311 x 311] ALL STAINLESS STEEL  
 SANI-FLOR RECEPTOR 9 1/4 [235] SUMP DEPTH W/  
 FULL HINGED GRATE, BUCKET & SECONDARY STRAINER

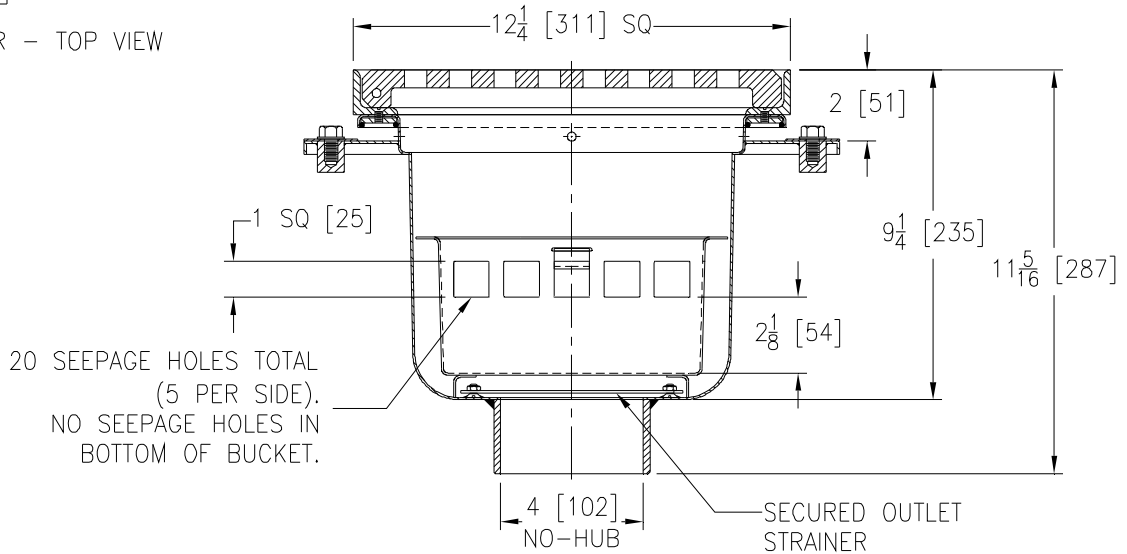
SPECIFICATION SHEET

TAG \_\_\_\_\_

Dimensional Data (inches and [ mm ]) are Subject to Manufacturing Tolerances and Change Without Notice



OUTLET STRAINER - TOP VIEW



Pipe Size In.	Approx. Wt. Lbs. [kg]	Grate Open Area Sq. In. [cm <sup>2</sup> ]
4 [102]	47 [21]	42 [271]

**ENGINEERING SPECIFICATION: ZURN Z1751-78**  
 12 1/4 x 12 1/4 x 9 1/4 [311 x 311 x 235] deep, 16 gage, All Type 304 (CF8) Stainless Steel Sani-Flor receptor with anchor flange with seepage holes and clamp collar, full hinged heavy-duty grate, sediment bucket and secondary secured outlet strainer.

**OPTIONS** (Check/specify appropriate options)

**PREFIXES**

\_\_\_ Z All Type 304 (CF8) Stainless Steel\*

REV.	DATE: 8/21/08	C.N. NO. 99004
DWG. NO. P-15593 PRODUCT NO. Z1751-78		

\*REGULARLY FURNISHED UNLESS OTHERWISE SPECIFIED