

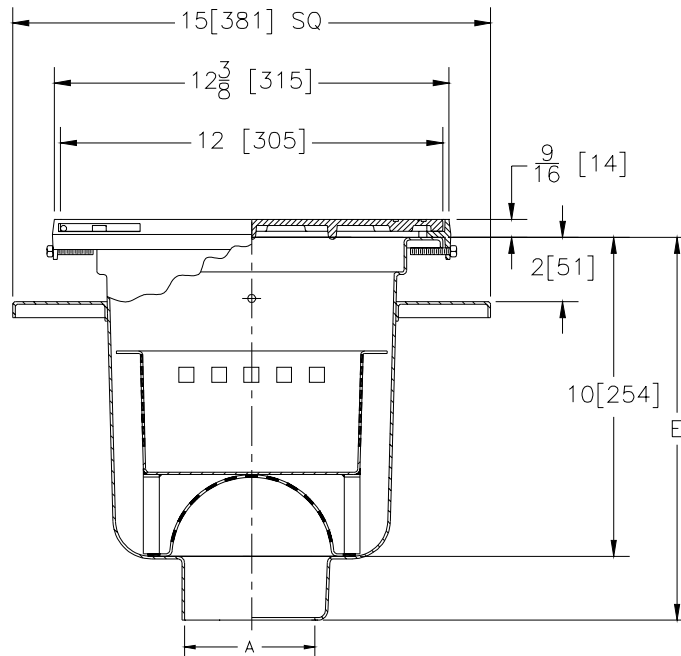


Z1752-134

12" X 12" [305 X 305] SANI-FLOR RECEPTOR 10" [254] SUMP DEPTH

TAG _____

Dimensional Data (inches and [mm]) are Subject to Manufacturing Tolerances and Change Without Notice



A- Pipe Size In.	Approx. Wt. Lbs. [kg]	Grate Open Area Sq. In. [cm ²]
2-3-4 [50-75-100]	22 [10]	25 [161]

ENGINEERING SPECIFICATION: ZURN Z1752-134 12 x 12 x 10 [305 x 305 x 254] deep, 14 gage, All Type 304 (CF8) Stainless Steel light duty Sani-Flor receptor with anchor flange, nickel bronze frame and full, secured, vandal-proof, hinged grate, anti-splash interior dome strainer, and removable sediment bucket.

OPTIONS (Check/specify appropriate options)

PIPE SIZE

- 2 thru 4 [50 thru 100]
- 2 [50]
- 3 [75]
- 4 [100]
- 2 thru 4 [50 thru 100]
- 2 thru 4 [50 thru 100]

(Specify size/type) **OUTLET**

- _____ IC Inside Caulk
- _____ IP Threaded
- _____ IP Threaded
- _____ IP Threaded
- _____ NH No-Hub
- _____ NL Neo-Loc

'E' BODY HT. DIM.

- 12 9/16 [319]
- 11 5/16 [287]
- 11 9/16 [294]
- 12 1/16 [306]
- 12 1/16 [306]
- 11 13/16 [300]

PREFIXES

- _____ Z Type 304 (CF8) Stainless Steel Body*
- _____ ZM Type 316 (CF8M) Stainless Steel

SUFFIXES

- _____ -DX Dexotex Flange
- _____ -HD Extra Heavy Duty Top Frame & Grate
- _____ -HP Heelproof Grate
- _____ -IP Female Threaded Outlet
- _____ -KC Seepage Pan With Clamp Collar
- _____ -P 1/2 Trap Primer Connection
- _____ -1 (Less) Grate
- _____ -2 1/2 Grate
- _____ -3 3/4 Grate
- _____ -4 Full Grate With 2 [51] Square Opening
- _____ -5 Grate w/4 [102] dia. x 3 3/4 [95] High Funnel
- _____ -8 Grate w/8 3/8 x 3 5/8 x 3 3/4 [213 x 92 x 95] High Oval Funnel
- _____ -15 Solid Cover
- _____ -16 1/2 Solid Cover
- _____ -17 3/4 Solid Cover
- _____ -18 Solid Cover With 2 [51] Square Center Opening

*REGULARLY FURNISHED UNLESS OTHERWISE SPECIFIED

REV.	DATE: 4/16/03	C.N. NO. 90919
DWG. NO. P-14979 PRODUCT NO. Z1752-134		