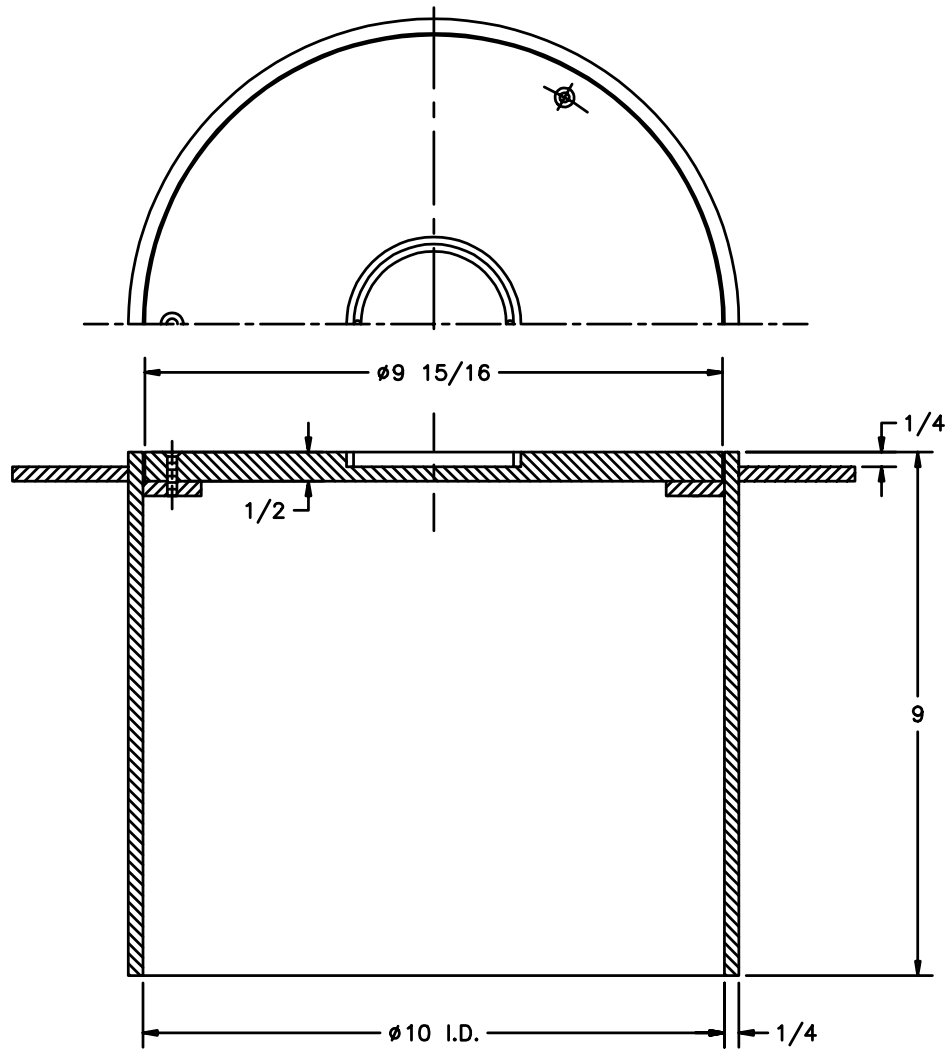




**Z-1719-75**  
**CLEANOUT WITH SOLID GASKETED COVER**

**TAG** \_\_\_\_\_

Dimensional Data (inches and [ mm ]) are Subject to Manufacturing Tolerances and Change Without Notice



**ENGINEERING SPECIFICATION:** ZURN Z-1719-76 All Type 304 (CF8) stainless steel cleanout with solid gasketed cover with retainer lift handle.

REV.	DATE: 7/13/94	C.N. NO. 69888
DWG. NO. P-14003 PRODUCT NO. Z-1719-76		

\*REGULARLY FURNISHED UNLESS OTHERWISE SPECIFIED