



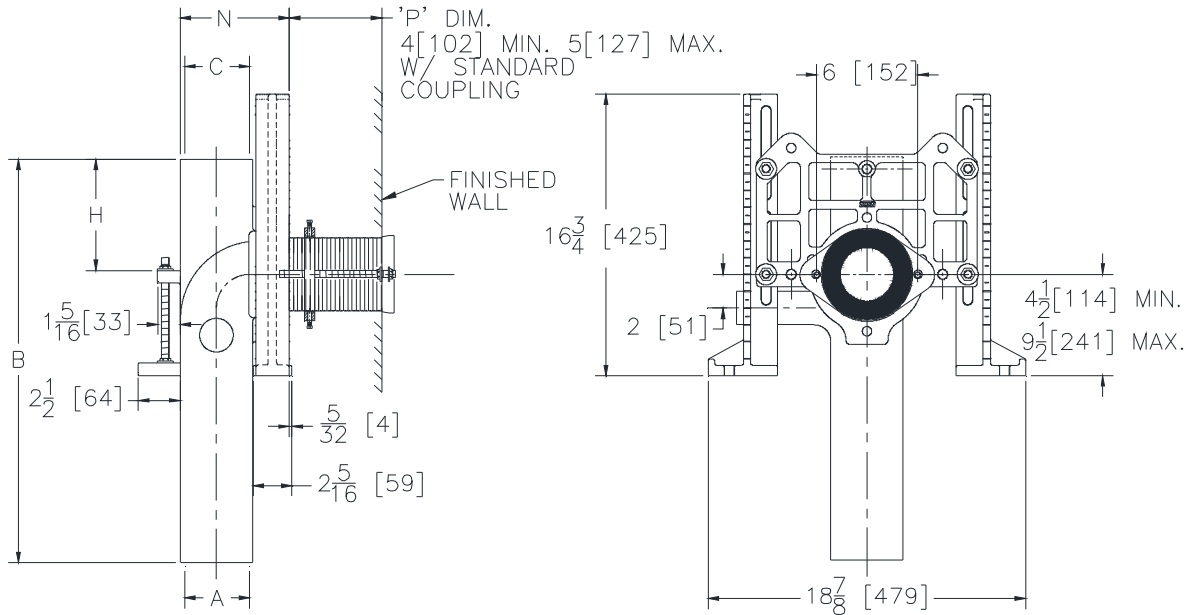
ZN1208-F

VERTICAL SIPHON JET WATER CLOSET NARROW WALL SUPPORT SYSTEM W/ FLOOR MOUNTED BACK OUTLET FIXTURE SUPPORT

SPECIFICATION SHEET

TAG _____

Dimensional Data (inches and [mm]) are Subject to Manufacturing Tolerances and Change Without Notice



Note:

1. Min. 'P' Dim. Obtainable=2 [51]
2. Feet anchored to floor using min. 1/2 [13] dia. anchors through rear slots on carrier feet.
3. Rear anchor foot required for secure installation.

Product No.	Dimensions in Inches [mm]					Approx. Wt. Lbs [kg]
	A	B	C	H	N	
ZN1208-H42-F	4 [102]	14-3/4 [375]	2 [51]	4-3/8 [111]	6-1/4 [159]	60 [27]
ZN1208-H44-F		15-1/4 [387]		4 [102]	4-7/8 [124]	
ZN1208-N32-F	3 [76]	18 [457]	2 [51]	6-1/4 [159]	4-3/4 [121]	
ZN1208-N42-F	4 [102]			24 [610]	4 [102]	
ZN1208-N44-F						

ENGINEERING SPECIFICATION: ZURN ZN1208-(-)F Vertical Siphon Jet Water Closet "Rigid System" with () size No-Hub or Hub and Spigot connections for narrow wall system. Complete with Dura-Coated cast iron main fitting, separable faceplate rigidly mounted on fitting, universal floor mounted foot supports, corrosion resistant adjustable ABS coupling with integral test cap, fixture bolts, trim, and stud protectors. Rear anchor tie down, bonded "Neo-Seal" gasket, and floor mounted back outlet fixture support.

OPTIONS (Check/specify appropriate options)

PRODUCT/DEFINITION

- _____ ZN1208-H42 4 [102] Spigot, 2 [51] Hub Vent
- _____ ZN1208-H44 4 [102] Spigot, 4 [102] Hub Vent
- _____ ZN1208-N32 3 [76] No-Hub, 2 [51] No-Hub Vent
- _____ ZN1208-N42 4 [102] No-Hub, 2 [51] No-Hub Vent
- _____ ZN1208-N44 4 [102] No-Hub, 4 [102] No-Hub Vent

PREFIXES

- _____ ZN D.C.C.I. System with Zurn "ZZ" Adjustable Coupling for narrow wall system*

SUFFIXES

- | | |
|---|--|
| _____ -CC Corrosion Resistant Cast Iron Coupling (6 [152] To 12 [305]) | _____ -VP Vandal Proof Trim |
| _____ -CL Coupling Length Greater than 12 [305] (Specify length Required) | _____ -X3 3 [76] Foot Extension Assembly |
| _____ -G Galvanized Cast Iron | _____ -X4 4 [102] Foot Extension Assembly |
| _____ -JJ Two 2 [51] Auxiliary Inlets | _____ -29 Mechanical Test Cap Assembly |
| _____ -JL 2 [51] Left Hand Auxiliary Inlet | _____ -45 Finishing Frame for Siphon Jet System (For Blowout System specify -45-B) |
| _____ -JR 2 [51] Right Hand Auxiliary Inlet | _____ -50 Flush Valve Supply Support for W.C. |
| _____ -T Threaded Connection (Available on Restricted Basis Only) | _____ -61 "ZZ" Coupling Wrench |

* Regularly furnished unless otherwise specified.