



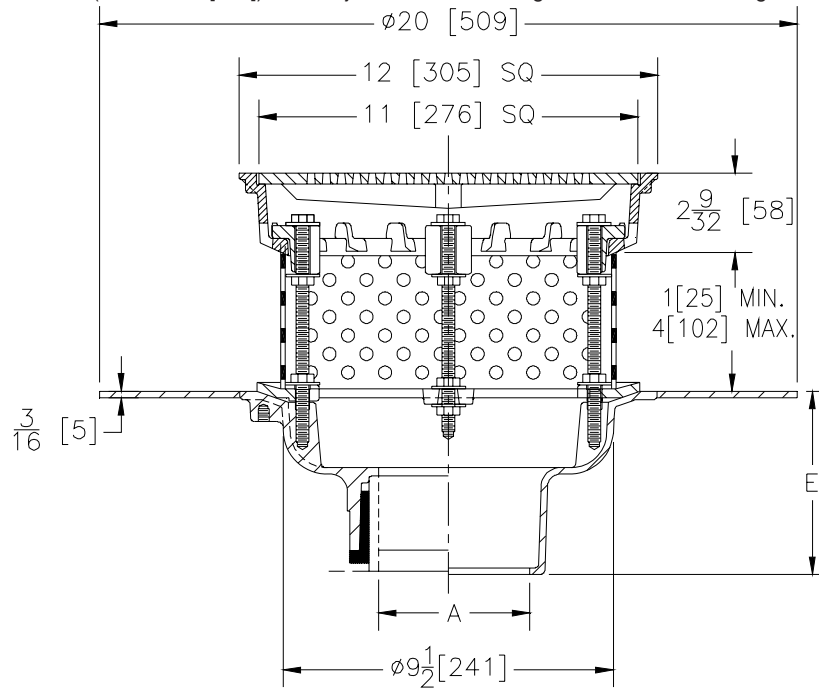
Z154-91

SPECIFICATION SHEET

**12 [305] PROM-DECK DRAIN WITH HEEL-PROOF GRATE,
PERFORATED EXTENSION AND WIDE FLANGE**

TAG _____

Dimensional Data (inches and [mm]) are Subject to Manufacturing Tolerances and Changes Without Notice



A- Pipe Size In.	Approx. Wt. Lbs. [kg]	Grate Open Area Sq. In. [cm ²]
2-3-4-5-6 [50-75-100-125-150]	26 [16]	34 [219]

ENGINEERING SPECIFICATION: ZURN Z154-91
12 [305] Square Top Prom-Deck drain, Dura-Coated cast iron wide flange body, rotatable light duty square promenade frame with seepage holes, frame clamps, stainless steel perforated extension and heel-proof grate with combination membrane flashing clamp/gravel guard.

OPTIONS (Check/specify appropriate options)

PIPE SIZE

- 2 thru 6 [50 thru 150]
- 2 thru 6 [50 thru 150]
- 2 thru 6 [50 thru 150]
- 2 thru 4 [50 thru 100]

(Specify size/type) **OUTLET**

- ___ IC Inside Caulk
- ___ IP Threaded
- ___ NH No-Hub
- ___ NL Neo-Loc

'E' BODY HT. DIM.

- 5 1/4 [133]
- 3 3/4 [95]
- 5 1/4 [133]
- 4 9/16 [117]

PREFIXES

- ___ Z- D.C.C.I. Body with Grate*
- ___ ZB- D.C.C.I. Body with Polished Bronze Grate (Add 3/16 [5] to 2-9/32 [58] Dim & 5/8 [16] to 12 [305] Dim.)
- ___ ZN- D.C.C.I. Body with Polished Nickel Bronze Grate (Add 3/16 [5] to 2-9/32 [58] Dim & 5/8 [16] to 12 [305] Dim.)

SUFFIXES

- ___ -C Underdeck Clamp
- ___ -DG Duresist Grate
- ___ -E Static Extension 1 [25] thru 4 [102] (Specify Ht.)
- ___ -G Galvanized Cast Iron
- ___ -S Secondary Strainer
- ___ -SC Secondary Clamping Collar
- ___ -VP Vandal Proof Secured Top
- ___ -XJ Vertical Expansion Joint (See Z-190)
- ___ -90 90° Threaded Side Outlet Body

REV. A	DATE: 03/25/11	C.N. NO. 121075
DWG. NO. P-14703 PRODUCT NO. Z154-91		

*REGULARLY FURNISHED UNLESS OTHERWISE SPECIFIED