



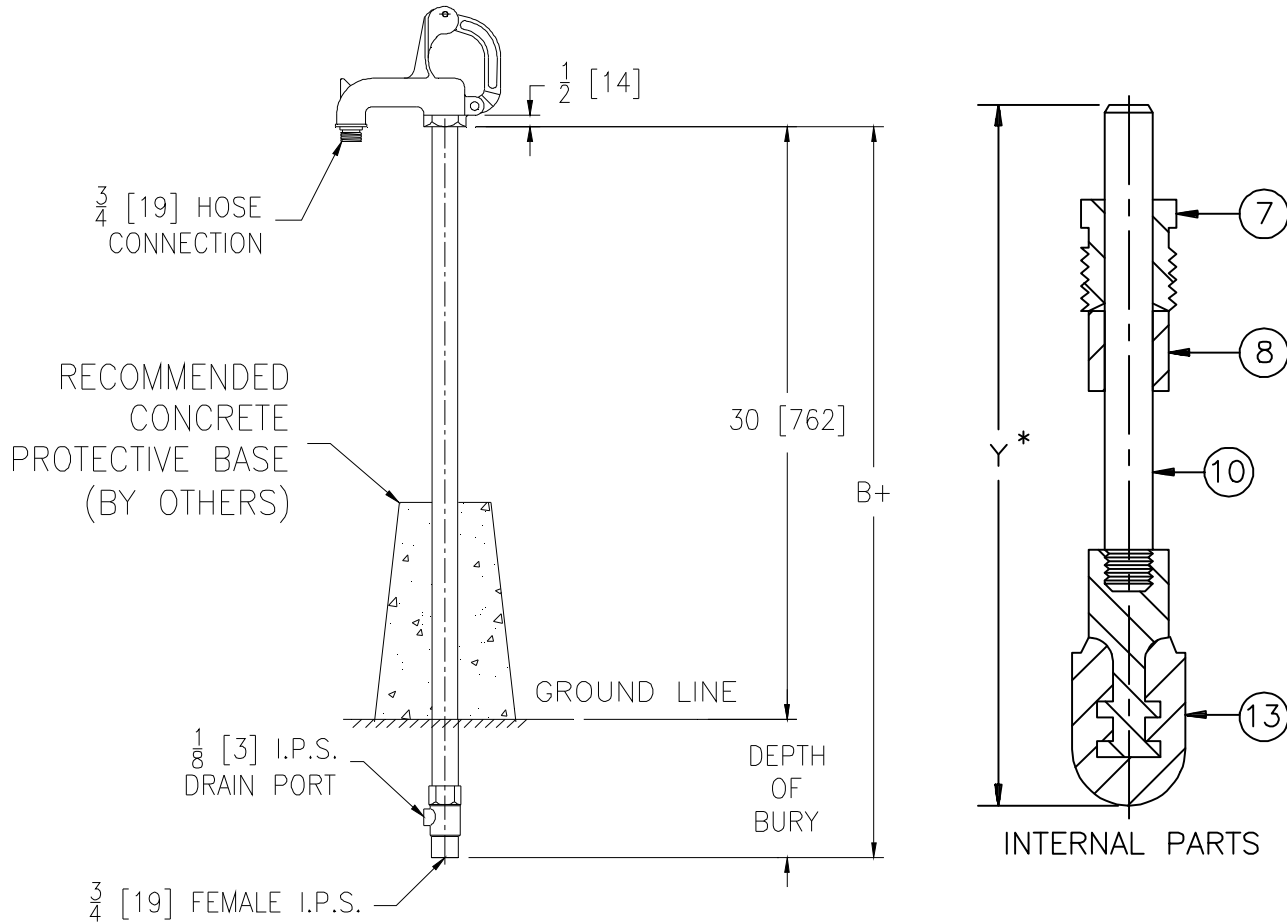
Z1395-77

1' [305] BURY YARD HYDRANT EXPOSED HEAD,
NON-FREEZE

SPECIFICATION SHEET

TAG _____

Dimensional Data (inches and [mm]) are Subject to Manufacturing Tolerances and Change Without Notice



Depth of Bury Feet [mm]	B+ Dim. Feet [mm]	Approx. Wt. Lbs. [kg]
1 [305]	3-1/2 [1067]	12 [5]

ENGINEERING SPECIFICATION: ZURN Z1395-77

Exposed, non-freeze yard hydrant, with Dura-Coated cast iron head and lift handle with lock option. Bronze interior parts and galvanized steel casing with bronze valve housing and 1/8" [3mm] IP drain port in housing.

Note: 'Depth of Bury' dim. based on outlet connection 30" [762mm] above ground.
** Non-Freeze feature will not function when (-VB suffix) vacuum breaker is specified.

OPTIONS (Check/specify appropriate options)

SUFFIXES

- _____ -AC Aluminum Casing Guard
- _____ -RK Hydrant Parts Repair Kit
- _____ -VB 3/4 [19] Adapter Vacuum Breaker**

PARTS LIST

Item	Name	Quan.
7	Operating Coupling	1
8	Packing	1
10	Operating Rod	1
13	Plunger	1

* Regularly furnished unless otherwise specified.