



Z886-PVSS-84

1/4 [6] WIDE REVEAL TRENCH DRAIN SYSTEM WITH
3 [76] TALL HEEL-PROOF PAVER SLOT GRATE

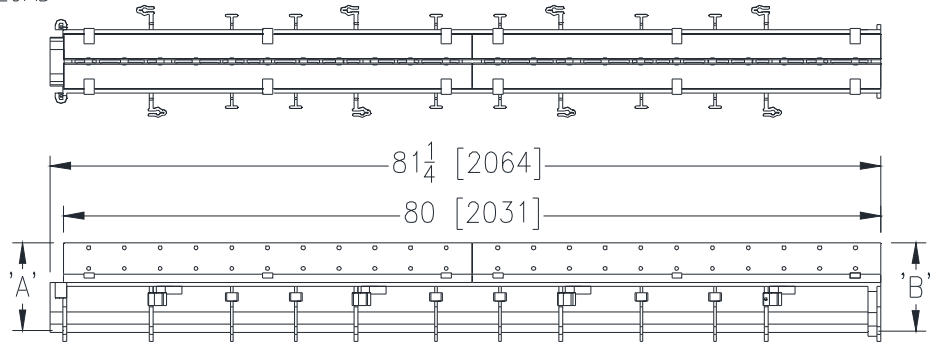
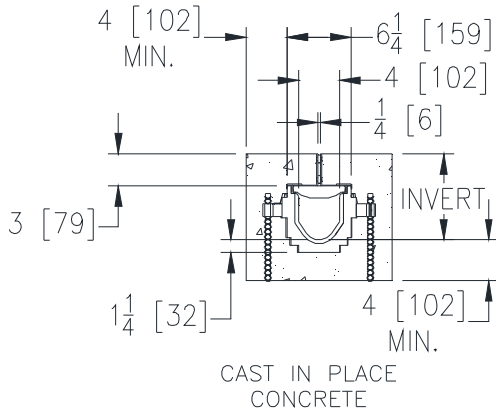
SPECIFICATION SHEET

TAG _____

Dimensional Data (inches and [mm]) are Subject to Manufacturing Tolerances and Change Without Notice

SPECIFYING ENGINEER IS RESPONSIBLE FOR
CONCRETE ENCASEMENT AND REINFORCING
BASED UPON APPLICATION AND LOCAL CODES.

A 4" MINIMUM CONCRETE ENCASEMENT IS
REQUIRED TO ACHIEVE THE SPECIFIED LOAD
RATING FOR THIS SYSTEM



NOTE: + Actual Channel length is 81-1/4 [2064] to allow for overlap.

ENGINEERING SPECIFICATION: Zurn Z886-PVSS-84

Channels shall be 80" [2032mm] long, 1/4" [6mm] wide slot and have a 4" [102mm] throat. Modular channel sections shall be made of 0% water absorbent High Density Polyethylene (HDPE). Shall have a positive mechanical connection between channel sections that will not separate during the installation and shall mechanically lock into the concrete surround a minimum of every 10" [254mm]. Channels shall weigh less than 2.31 lbs.[1.05kg] per linear foot, have a smooth, 1.5" [38mm] radiused self cleaning bottom with a Manning's coefficient of 0.009 and 0.75% or neutral 0% built in slope. Channels shall have rebar clips standard to secure trench in its final location. Shall be provided with PVSS-84 non-removable grates. Zurn 1/4" [6mm] wide reveal and 3" [76mm] tall fabricated Type 316 Stainless Steel Heel-Proof Paver Slot grate with Type 316 Stainless Steel reinforcing conforming to ASTM specification A351, Grade CF8M, is rated class C per the DIN EN1433 top load classifications. Supplied in 40" [1016mm] nominal lengths with 3/4" [19mm] bearing depth. Grate has an open area of 3.0 sq. in per ft. [6,350 sq. mm per meter].

PREFIX OPTIONS (Check/specify appropriate options)

___ Z Six-foot, Eight-inch High Density Polyethylene (HDPE)*

SUFFIX OPTIONS (Check/specify appropriate options)

Outlet Adapters Add/Each

- ___ -E1 Closed End Cap
- ___ -E2 2 [51] No-Hub End Outlet
- ___ -E3 3 [76] No-Hub End Outlet
- ___ -E4 4 [102] No-Hub End Outlet
- ___ -E6 6 [152] No-Hub End Outlet
- ___ -U2 2 [51] No-Hub Bottom Outlet
- ___ -U3 3 [76] No-Hub Bottom Outlet
- ___ -U4 4 [102] No-Hub Bottom Outlet
- ___ -U6 6 [152] No-Hub Bottom Outlet

Frame Options

- ___ -SW Sidewall Extensions - 9 [229] High
- ___ -SW2 Sidewall Extensions - 18 [457] High

Miscellaneous Options

- ___ -JC Joint Connector

Trench No.	'A' Shallow Inv.	'B' Deep Inv.	Flow		
			(cfs)	(gpm)	(lps)
8601	6.50 [165]	7.10 [180]	0.21	93	6
8602	7.10 [180]	7.70 [196]	0.27	122	8
8603	7.70 [196]	8.30 [211]	0.34	152	10
8603N	8.30 [211]	8.30 [211]	-	-	-
8604	8.30 [211]	8.90 [226]	0.41	183	12
8605	8.90 [226]	9.50 [241]	0.48	214	13
8606	9.50 [241]	10.10 [257]	0.55	245	15
8606N	10.10 [257]	10.10 [257]	-	-	-
8607	10.10 [257]	10.70 [272]	0.62	276	17
8608	10.70 [272]	11.30 [287]	0.69	308	19
8609	11.30 [287]	11.90 [302]	0.76	339	21
8610	11.90 [302]	12.50 [318]	0.83	371	23
8611	12.50 [318]	13.10 [333]	0.90	403	25
8612	13.10 [333]	13.70 [348]	0.97	435	27
8612N	13.70 [348]	13.70 [348]	-	-	-
8613	13.70 [348]	14.30 [363]	1.04	467	29
8614	14.30 [363]	14.90 [378]	1.11	498	31
8615	14.90 [378]	15.50 [394]	1.18	530	33

* Regularly furnished unless otherwise specified.