

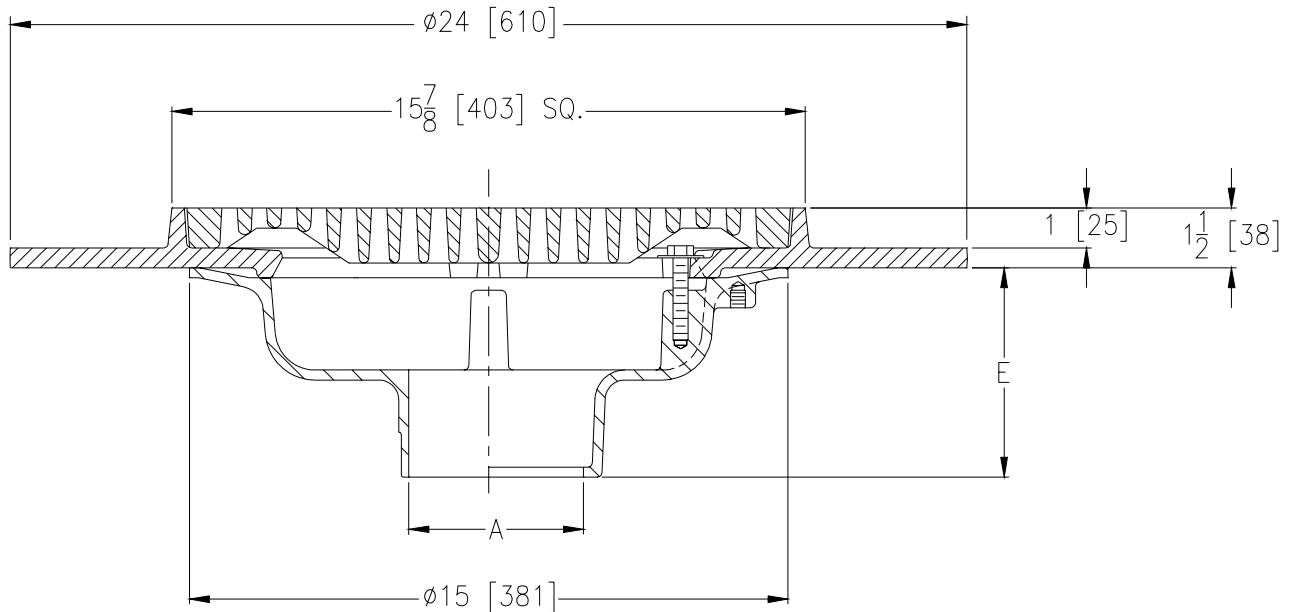


# Z-537-75

## 16" [406] SQUARE TOP PARKING DECK DRAIN WITH SUPPORT FLANGE

TAG \_\_\_\_\_

Dimensional Data (inches and [ mm ]) are Subject to Manufacturing Tolerances and Change Without Notice



A- Pipe Size In.	Approx. Wt. Lbs. [kg]	Grate Open Area Sq. In. [cm <sup>2</sup> ]
2-3-4-5-6 [50 thru 150]	122 [55]	105 [677]
8-10 [200 - 250]	124 [56]	

**ENGINEERING SPECIFICATION:** ZURN Z-537-75 16 [406] Square Top Parking Deck Drain. Dura-Coated cast iron body with bottom outlet, seepage pan and combination membrane flashing clamp and heavy duty support flange, with heavy duty slotted grate.

**OPTIONS** (Check/specify appropriate options)

**PIPE SIZE**

(Specify size/type) **OUTLET**

**'E' BODY HT. DIM.**

2 thru 6, 8, 10 [50 thru 150, 200, 250]	_____ IC	Inside Caulk	5 1/4 [133]
2 thru 6, 8, 10 [50 thru 150, 200, 250]	_____ IG	Inside Caulk w/Sealtrol Gskt.	5 1/4 [133]
2 thru 6, 8, 10 [50 thru 150, 200, 250]	_____ IP	Threaded	3 3/4 [95]
2 thru 6, 8, 10 [50 thru 150, 200, 250]	_____ NH	No-Hub	5 1/4 [133]
2 thru 4 [50 thru 100]	_____ NL	Neo-Loc	4 5/8 [117]

**PREFIXES**

- \_\_\_\_\_ Z- D.C.C.I. Body and Grate\*
- \_\_\_\_\_ ZB- D.C.C.I. Body with Polished Bronze Grate (Add 3/16 [5] to 1 1/2 [38] Dim.)
- \_\_\_\_\_ ZN- D.C.C.I. Body with Polished Nickel Bronze Grate (Add 3/16 [5] to 1 1/2 [38] Dim.)

**SUFFIXES**

- \_\_\_\_\_ -C Underdeck Clamp
- \_\_\_\_\_ -DG Duresist Grate
- \_\_\_\_\_ -G Galvanized Cast Iron
- \_\_\_\_\_ -VP Vandal Proof Secured Top
- \_\_\_\_\_ -XJ Vertical Expansion Joint (See Z-190)

REV. A	DATE: 10/14/96	C.N. NO. 76200
DWG. NO. P-14399 PRODUCT NO. Z-537-75		

\*REGULARLY FURNISHED UNLESS OTHERWISE SPECIFIED