

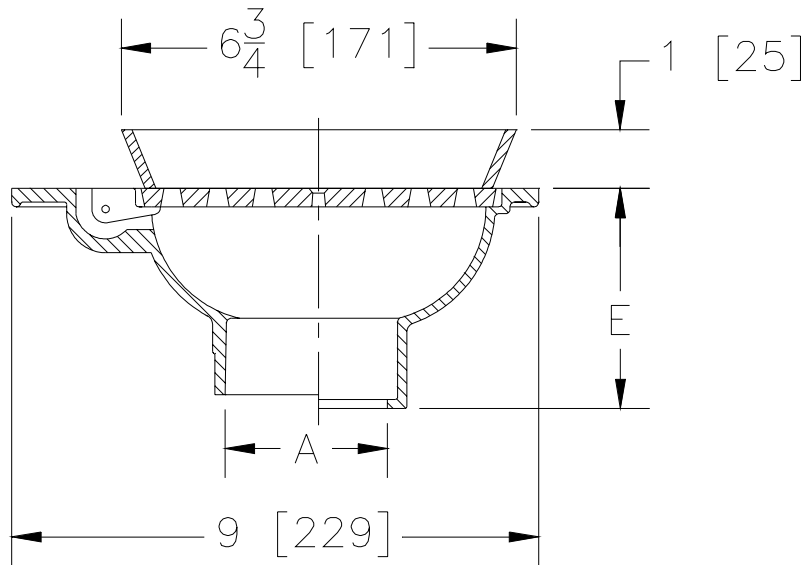


Z-560-79
9" [229] CELLAR DRAIN
WITH Z-329 FUNNEL

SPECIFICATION SHEET

TAG _____

Dimensional Data (inches and [mm]) are Subject to Manufacturing Tolerances and Change Without Notice



Dimensions In Inches		Approx. Wt. Lbs. [kg]	Grate Open Area Sq. In. [cm ²]
A- Pipe Size	M		
3 [75]	9 [229]	15 [7]	9 [58]

ENGINEERING SPECIFICATION: ZURN Z-560-79 9 [229] Square top drain, Dura-Coated cast iron body with bottom outlet and cast iron round hinged perforated light duty grate and Z-329 Dura-Coated cast iron funnel.

OPTIONS (Check/specify appropriate options)

PIPE SIZE

3 [75]

3 [75]

3 [75]

(Specify size/type) **OUTLET**

_____ IC Inside Caulk

_____ IC Inside Caulk

_____ NL Neo-Loc

'E' BODY HT. DIM.

6 1/2 [165]

6 1/2 [165]

6 [152]

PREFIXES

_____ Z- D.C.C.I. Body and Grate*

SUFFIXES

_____ -AR Acid Resisting Epoxy Coated Finish

_____ -G Galvanized Cast Iron

_____ -V Backwater Valve (See Z-1099)

_____ -VP Vandal Proof Secured Top

REV.	DATE: 6/16/98	C.N. NO. 80701
DWG. NO. P-14638 PRODUCT NO. Z-560-79		

*REGULARLY FURNISHED UNLESS OTHERWISE SPECIFIED