



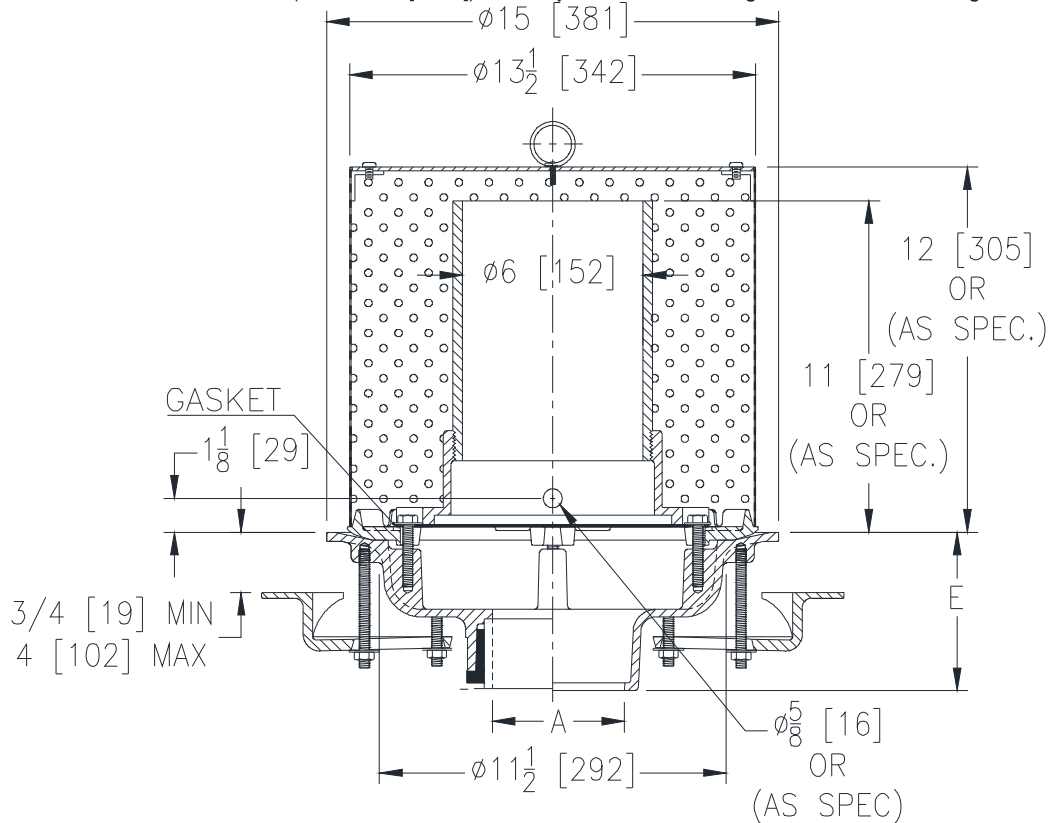
Z100-329

15 [381] DIAMETER MAIN ROOF DRAIN W/ GASKETED FLOW CONTROLLING WATER DAM, STAINLESS STEEL PERFORATED GRAVEL GUARD, AND UNDERDECK CLAMP

SPECIFICATION SHEET

TAG _____

Dimensional Data (inches and [mm]) are Subject to Manufacturing Tolerances and Change Without Notice



| A Pipe Size In. [mm] | Approx. Wt. Lbs. [kg] |
|-------------------------|--------------------------|
| 2,3,4 [51,76,102] | 41 [19] |
| 5,6 [127,152] | 42 [19] |
| 8 [203] | 43 [20] |

ENGINEERING SPECIFICATION: ZURN Z100-329

15" [381 mm] Diameter roof drain. Dura-Coated cast iron body with combination membrane flashing clamp/gravel guard, gasketed flow control water dam with 5/8" [16 mm] dia hole, 6" [152 mm] standpipe, underdeck clamp, and stainless steel perforated gravel guard with solid secured top and lift ring.

OPTIONS (Check/specify appropriate options)

PIPE SIZE

2,3,4,5,6,8 [51,76,102,127,152,203]
 2,3,4,5,6,8 [51,76,102,127,152,203]
 2,3,4,5,6,8 [51,76,102,127,152,203]
 2,3,4 [51,76,102]
 6 [152]

(Specify size/type) OUTLET

___ IC Inside Caulk
 ___ IP Threaded
 ___ NH No-Hub
 ___ NL Neo-Loc
 ___ NL Neo-Loc

E BODY HT. DIM.

5-1/4 [133]
 3-3/4 [95]
 5-1/4 [133]
 4-9/16 [116]
 5-7/16 [112]

PREFIXES

___ Z D.C.C.I. Body

SUFFIXES

___ -AR Acid Resistant Epoxy Coated
 ___ -DX Dex-o-tex Flange
 ___ -E Static Extension 1 [25] thru 4 [102] (Specify Ht.)
 ___ -EA Adjustable Extension Assembly (2-1/8 [54] thru 3-1/2 [89])
 ___ -G Galvanized Cast Iron

___ -R Roof Sump Receiver
 ___ -SC Secondary Clamp Collar
 ___ -TC Neo-Loc Test cap basket (2,3,4 [51,76,102]) NL Bottom Outlet Only)
 ___ -VP Vandal-Proof Secured Top
 ___ -90 90° Threaded Side Outlet Body (2,3,4,5,6 [51,76,102,127,152])

* Regularly furnished unless otherwise specified.