



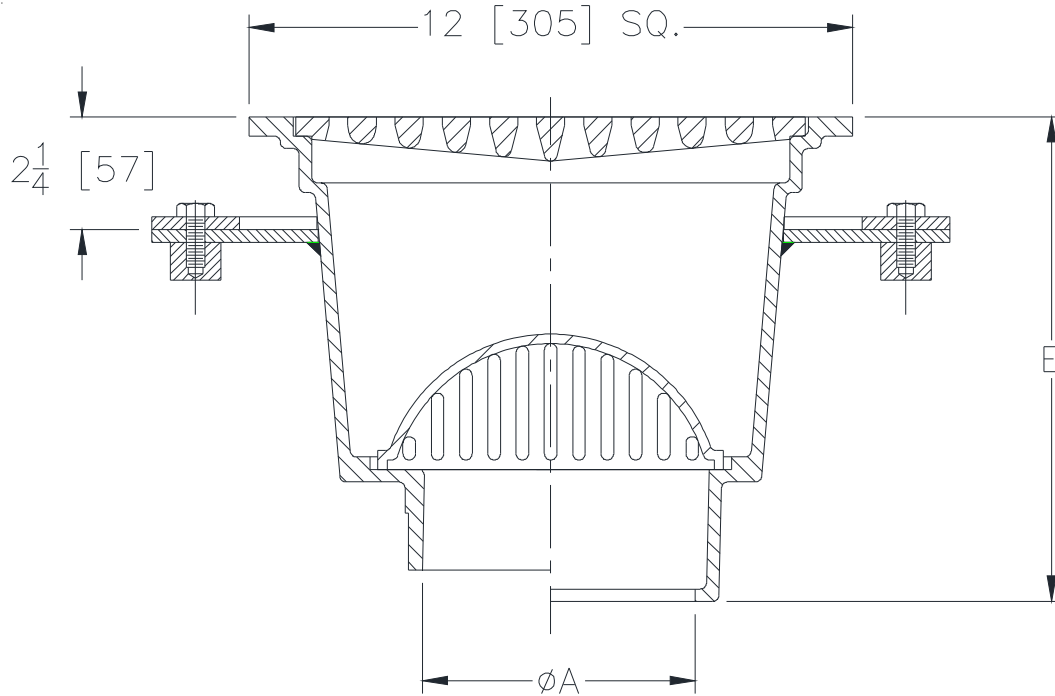
Z566-96

12 [305] SQUARE TOP DRAIN WITH GRATE, BOTTOM DOME STRAINER, SEEPAGE PAN, AND CLAMPING COLLAR

SPECIFICATION SHEET

TAG _____

Dimensional Data (inches and [mm]) are Subject to Manufacturing Tolerances and Change Without Notice



A Pipe Size In. [mm]	Approx. Wt. Lbs. [kg]
2,3,4 [51,76,102]	48 [22]

ENGINEERING SPECIFICATION: ZURN Z566-96

12" [305mm] Square top drain, Dura-Coated cast iron body with seepage pan and clamping collar, bottom outlet, top grate and loose set cast iron bottom dome strainer.

OPTIONS (Check/specify appropriate options)

PIPE SIZE

3, 4 [76, 102]
2, 3, 4 [51, 76, 102]

(Specify size/type) OUTLET

___ IP Threaded
___ NL Neo-Loc

'E' BODY HT. DIM.

7-5/8 [194]
9 [229]

PREFIXES

___ Z D.C.C.I. Body and Grate*
___ ZN D.C.C.I. Body with Polished Nickel Bronze Grate (Add 3/16 [5] to 'E' Dim.)

SUFFIXES

___ -AR Acid Resisting Epoxy Coated Finish
___ -BT Bell Trap Bucket
___ -G Galvanized Cast Iron
___ -Y Sediment Bucket
___ -2 1/2 Grate

* Regularly furnished unless otherwise specified.