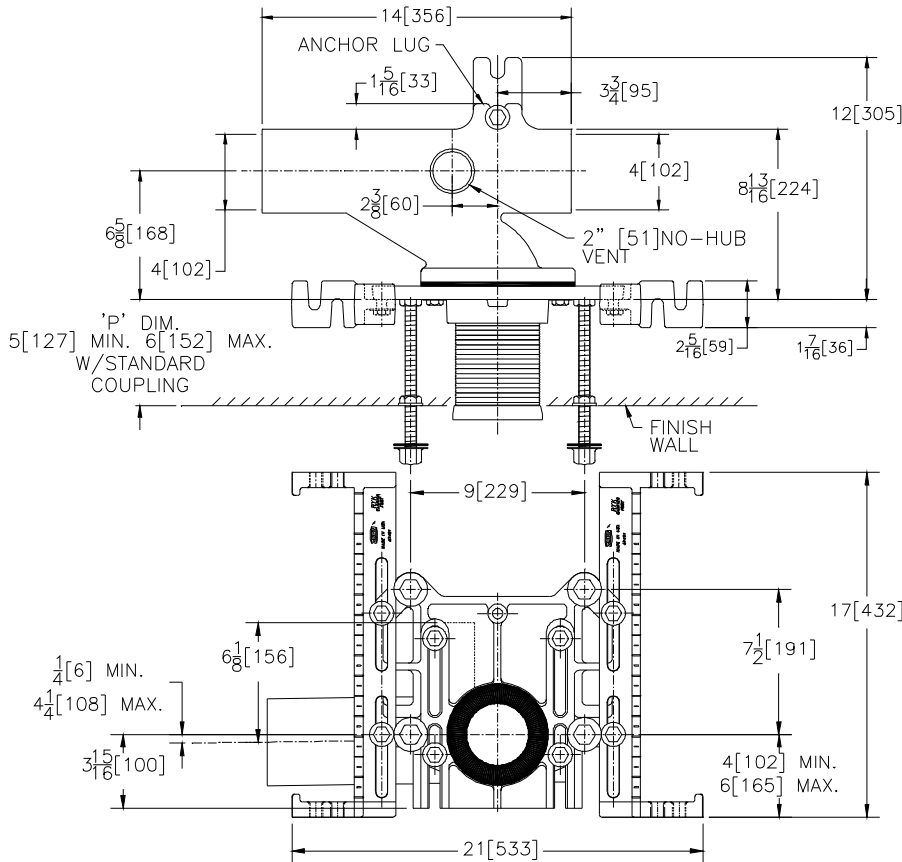




Z1203-94

ADJUSTABLE HORIZONTAL SIPHON JET NO-HUB W/ MODIFIED FACE PLATE FOR 4 [102] MOD. ROUGH

Dimensional Data (inches and [mm]) are Subject to Manufacturing Tolerances and Change Without Notice



| Product Number | Approx. Wt. Lbs. [kg] |
|----------------|-----------------------|
| Z1203-NL4-94 | 67 [30] |
| Z1203-NR4-94 | |

Note:

1. Min. 'P' Dim. Obtainable=2 [51]
2. Feet bolted to floor using min. 1/2 [13] dia. bolts and back slots on carrier feet.
3. Back anchor foot required for secure installation.

ENGINEERING SPECIFICATION: ZURN Z1203-94

Adjustable, horizontal siphon jet water closet "Rigid System" with 4 [102] No-Hub connections. Complete with Dura-Coated cast iron right hand or left hand main fitting, with 2 [51] vent, modified adjustable gasketed face plate, RYK-Unistrut Pre-fab foot supports, corrosion resistant adjustable ABS coupling with integral test cap, fixture bolts, trim, and stud protectors. Rear anchor tie down and bonded "Neo-Seal" gasket.

OPTIONS (Check/specify appropriate options)

- _____ **Z1203-NR4-94** 4 [102] No-Hub Right Hand Inlet with Flow to Left
- _____ **Z1203-NL4-94** 4 [102] No-Hub Left Hand Inlet with Flow to Right

PREFIXES

- _____ **Z** D.C.C.I. System with Zurn "ZZ" Adjustable Coupling*
- _____ **ZQ** D.C.C.I. System with Non-Adjustable Coupling

SUFFIXES

- _____ **-BC** Back Cleanout
- _____ **-CC** Corrosion Resistant 6 [152] Long Cast Iron Coupling
- _____ **-CL** Coupling Length Greater Than Standard (Length Must be Specified)
- _____ **-F** Floor Mounted Back Outlet Closet Connection
- _____ **-G** Galvanized Cast Iron
- _____ **-M** Auxiliary Foot Support for 'P' Dim. 10 [254] Thru 18 [457]
- _____ **-T** Threaded Stack Connection
- _____ **-VP** Vandal Proof Trim
- _____ **-29** Mechanical Test Cap Assembly
- _____ **-45** Finishing Frame for Siphon Jet Closet
- _____ **-50** Flush Valve Supply Support for Water Closets
- _____ **-61** Adjusting Wrench for "ZZ" Coupling

*REGULARLY FURNISHED UNLESS OTHERWISE SPECIFIED

REV. A DATE: 10/04/12 C.N. NO. 124779

DWG. NO. P-14688 PRODUCT NO. Z1203-94