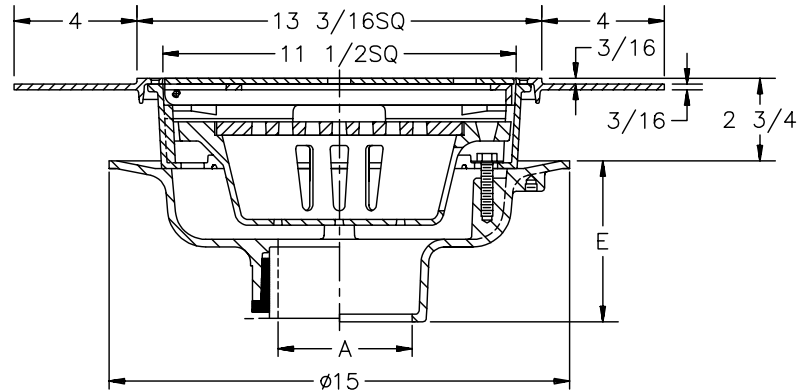
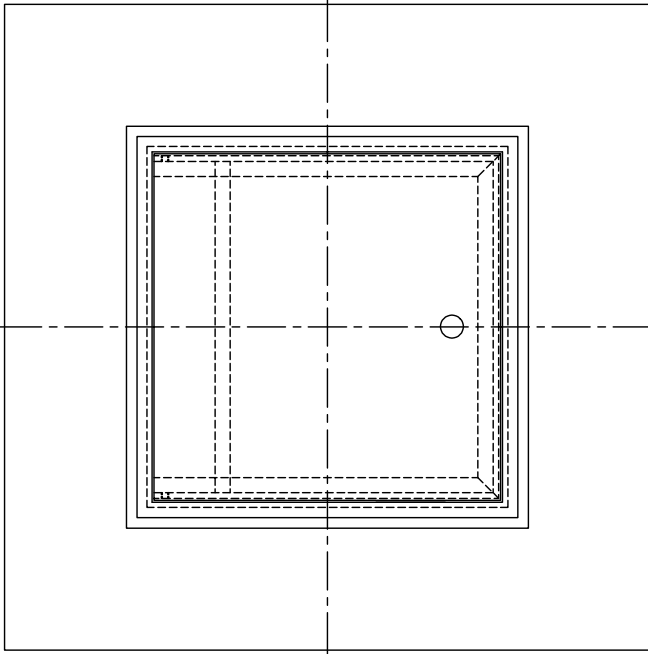




Z-610-81
21" HEAVY DUTY DRAIN WITH DEX-O-TEX
FLANGE AND SUSPENDED SEDIMENT BUCKET

TAG _____

Dimensional Data (inches and [mm]) are Subject to Manufacturing Tolerances and Change Without Notice



A- Pipe Size In.	Approx. Wt. Lbs.
2-3-4-5-6	55
8-10	57

ENGINEERING SPECIFICATION: ZURN Z-610-81 21" Top drain, Dura-Coated cast iron body with wide flanged nickel bronze frame and bottom outlet, light duty stainless steel hinged cover with lift hole, and cast iron suspended sediment bucket with grate.

OPTIONS (Check/specify appropriate options)

OUTLET (Specify type)

- _____ **IC** Inside Caulk
- _____ **IG** Inside Caulk w/Sealtrol Gskt.
- _____ **IP** Threaded
- _____ **NH** No-Hub
- _____ **NL** Neo-Loc
- _____ **NL** Neo-Loc

PIPE SIZE (Specify size)

- _____ 2" thru 6", 8", 10"
- _____ 2", 3", 4", 6"
- _____ 2" thru 6", 8", 10"
- _____ 2" thru 6", 8", 10"
- _____ 2" thru 4"
- _____ 5", 6"

'E' BODY HT. DIMENSION

- _____ 5-1/4"
- _____ 5-1/4"
- _____ 3-3/4"
- _____ 5-1/4"
- _____ 4-5/8"
- _____ 5-1/2"

PREFIXES

- _____ **ZB-** D.C.C.I. Body with Polished Bronze Cover
- _____ **ZN-** D.C.C.I. Body with Polished Nickel Bronze Cover*

SUFFIXES

- _____ **-LY** (Less) Bucket
- _____ **-P** Trap Primer Connection
- _____ **-S** Secondary Strainer
- _____ **-SS** Stainless Mesh Liner for Bucket
- _____ **-V** Backwater Valve (See Z-1099)
- _____ **-VP** Vandal Proof Secured Top
- _____ **-YA** Aluminum Sediment Bucket
- _____ **-90** 90° Threaded Side Outlet Body (2" thru 6" only) (Previously Z-615)

*REGULARLY FURNISHED UNLESS OTHERWISE SPECIFIED

REV.	DATE: 9/26/92	C.N. NO. 68586
DWG. NO. P-13747 PRODUCT NO. Z-610-81		