



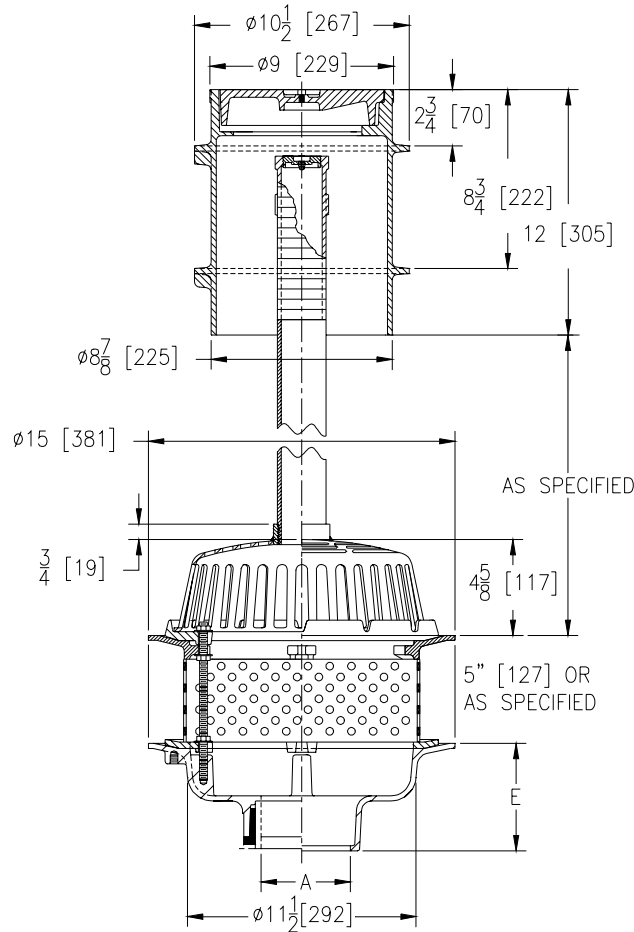
Z-100-158

15 [381] DIAMETER MAIN ROOF DRAIN LOW SILHOUETTE DOME

SPECIFICATION SHEET

TAG _____

Dimensional Data (inches and [mm]) are Subject to Manufacturing Tolerances and Change Without Notice



A- Pipe Size In.	Approx. Wt. Lbs. [kg]	Dome Open Area Sq. In. [cm ²]
2-3-4 [50-75-100]	26 [12]	103 [665]
5-6 [125-150]	27 [12]	
8 [200]	28 [13]	

ENGINEERING SPECIFICATION: ZURN Z-100-158 15 [381] Diameter roof drain. Dura-Coated cast iron body with combination membrane flashing clamp/gravel guard and low silhouette cast iron dome, perforated stainless steel extension, static extension, secondary clamp collar, 2 [51] standpipe, cleanout, cleanout housing and cover.

OPTIONS (Check/specify appropriate options)

PIPE SIZE

- 2 thru 6, 8 [50 thru 150,200]
- 2 thru 6, 8 [50 thru 150,200]
- 2 thru 6, 8 [50 thru 150,200]
- 2,3,4 [50,75,100]

(Specify size/type) **OUTLET**

- _____ IC Inside Caulk
- _____ IP Threaded
- _____ NH No-Hub
- _____ NL Neo-Loc

E BODY HT. DIM.

- 5 1/4 [133]
- 3 3/4 [95]
- 5 1/4 [133]
- 4 5/8 [117]

PREFIXES

- _____ ZC- D.C.C.I. Body with Cast Iron Dome and Top*

SUFFIXES

- | | |
|--|---|
| <ul style="list-style-type: none"> _____ -AC Angular Underdeck Clamp _____ -AR Acid Resistant Epoxy Coated Finish _____ -BS Bronze Mesh Screen Over Dome _____ -C Underdeck Clamp _____ -E Static Extension 1 [25] thru 4 [102] (Specify Ht.) _____ -EA Adjustable Extension Assembly 1 3/4 [44] thru 3 1/2 [89] _____ -ES Static Extension With Secondary Clamp _____ -G Galvanized Cast Iron | <ul style="list-style-type: none"> _____ -GD Galvanized Cast Iron Dome _____ -R Roof Sump Receiver _____ -SC Secondary Clamping Collar _____ -SS Stainless Steel Mesh Screen Over Dome _____ -VP Vandal Proof Secured Top _____ -XJ Vertical Expansion Joint (See Z-190) _____ -90 90° Threaded Side Outlet Body |
|--|---|

*REGULARLY FURNISHED UNLESS OTHERWISE SPECIFIED

REV.	DATE: 8/14/01	C.N. NO. 87776
DWG. NO. P-14841 PRODUCT NO. Z-100-158		