



ZE1201-N_4-79

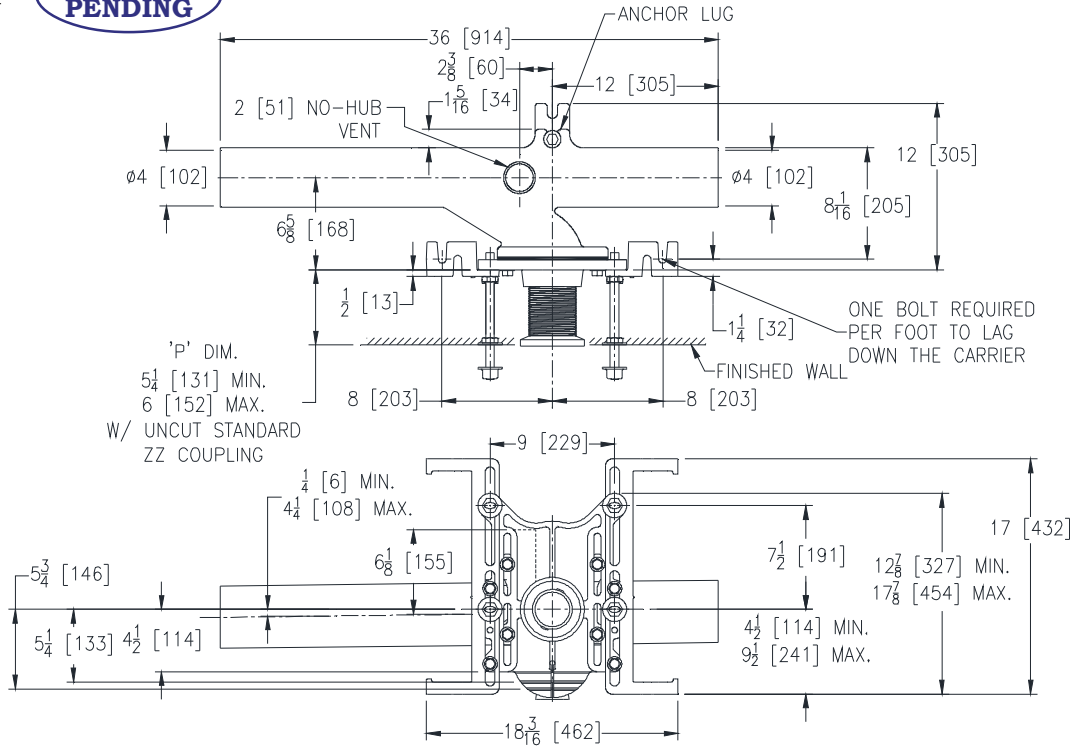
17 [432] ONE PIECE RYK FOOT SUPPORT WITH ELONGATED BARREL
 FITTING 36 [914] EZCARRY® ADJUSTABLE HORIZONTAL HIGH
 PERFORMANCE SIPHON JET NO-HUB WATER CLOSET CARRIER SYSTEM

SPECIFICATION SHEET

TAG _____

Dimensional Data (inches and [mm]) are Subject to Manufacturing Tolerances and Change Without Notice

**PATENT
PENDING**



Product Number	Approx. Wt. lbs [kg]
ZE1201-NL4-79	89 [40]
ZE1201-NR4-79	

Note:

1. Min. 'P' Dim. obtainable = 2 [51] with cut standard coupling.
2. Feet bolted to floor using min. 1/2 [13] dia. anchors.
3. Rear anchor foot required for secure installation.

ZE1201-NR4-79 Illustrated

ENGINEERING SPECIFICATION: ZURN ZE1201-N_4-79

EZCarry® horizontal siphon jet water closet carrier system, with Dura-Coated cast iron right hand or left hand main elongated fitting, 4" [102 mm] no-hub connections, 38" [965 mm] barrel for stall to stall direct connection, and extended 2" [51 mm] vent. Corrosion resistant, adjustable 3" [76 mm] diameter X 6" [152 mm] coupling with integral test cap, designed to increase flow velocity and line carry, and labor saving "Neo-Seal" bonded gasket optimizes flow performance while reducing installation steps. Complete system includes an adjustable, gasketed faceplate; floor mounted 17" [432mm] one piece RYK foot supports; heavy-duty 1/2" [13 mm] rear anchor tie down; fixture bolts, trim, and stud protectors. EZCarry® narrow wall system complies with all applicable requirements of ASME A112.6.1M up to a 500 lbs [227 kg] maximum static load.

OPTIONS (Check/specify appropriate options)

- ____ ZE1201-NL4-79 4 [102] No-Hub Elongated Left Hand Inlet with Flow to Right
- ____ ZE1201-NR4-79 4 [102] No-Hub Elongated Right Hand Inlet with Flow to Left

PREFIXES

- ____ ZE D.C.C.I. System with Zurn ZZ Adjustable Coupling*
- ____ ZQE D.C.C.I. System with NPT Faceplate, Non-Adjustable Coupling

SUFFIXES

- | | | | |
|----------|--|----------|--|
| ____ -A | Auxiliary Support Assembly
(For 'P' Dim. Greater than 18 [457]) | ____ -F | Floor Mounted, Back Outlet Fixture Support |
| ____ -CC | Corrosion Resistant Cast Iron Coupling
(2-1/4 to 12 [57 to 305]) | ____ -G | Galvanized Cast Iron |
| ____ -CE | EZ-Set™ Coupling (Available 6 [152], 12 [305] or longer when specified. Minimum length = 5 [127]) | ____ -M | Auxiliary Foot Support
(for 'P' Dim. 10 thru 18 [254 thru 457]) |
| ____ -CL | Custom Length Standard Coupling with Integral Test Cap
(Specify Length 4, 8, 10, 12 [102, 203, 254, 305]) | ____ -VP | Vandal-Proof Trim |
| ____ -CS | 2-1/4 [57] Polymer Coupling with Integral Test Cap
(ZZ Coupling Only) | ____ -45 | Finishing Frame for Siphon Jet System |
| | | ____ -50 | Flush Valve Supply Support for Water Closets |

* Regularly furnished unless otherwise specified.

Zurn Industries, LLC | Specification Drainage Operation
 1801 Pittsburgh Avenue, Erie, PA U.S.A. 16502 · Ph. 855-663-9876, Fax 814-454-7929
 In Canada | Zurn Industries Limited
 3544 Nashua Drive, Mississauga, Ontario L4V 1L2 · Ph. 905-405-8272, Fax 905-405-1292
www.zurn.com

Rev. -
 Date: 3/22/2018
 C.N. No. 139769
 Prod. | Dwg. No. ZE1201-N_4-79