



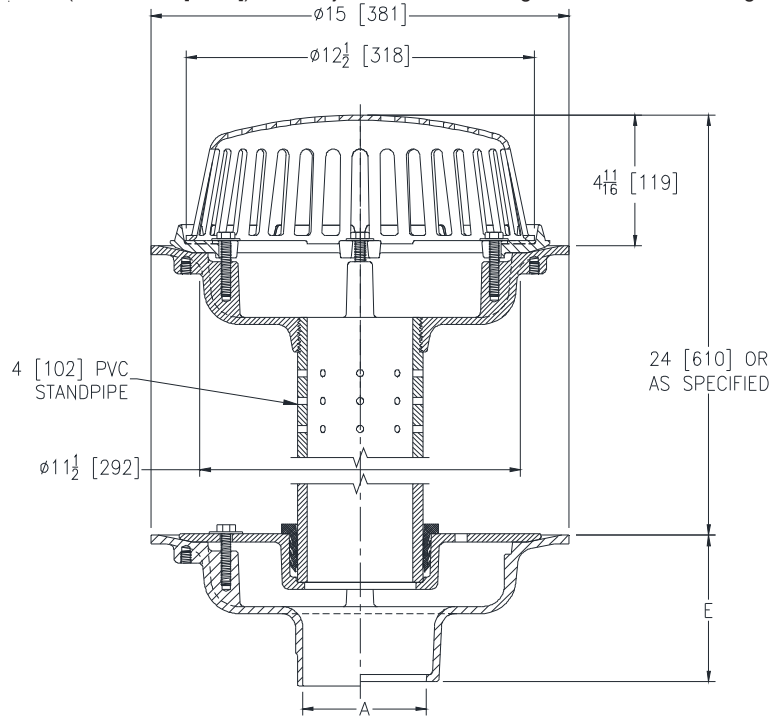
Z624-117

ISOLATION DECK DRAIN W/ Z100 UPPER DRAIN ASSEMBLY AND PERFORATED STANDPIPE

SPECIFICATION SHEET

TAG _____

Dimensional Data (inches and [mm]) are Subject to Manufacturing Tolerances and Change Without Notice



A Pipe Size in [mm]	Approx. Wt. Lbs. [kg]	Dome Open Area Sq. In. [cm ²]
2, 3, 4 [51, 76, 102]	56 [25]	103 [665]
5, 6 [127, 152]		

ENGINEERING SPECIFICATION: ZURN Z624-117

Floating slab drain, Dura-Coated cast iron upper and lower bodies, clamp collar with weep holes, neoprene flex gasket, perforated isolation nipple, combination membrane flashing clamp/gravel guard, and low silhouette Poly-Dome.

OPTIONS (Check/specify appropriate options)

PIPE SIZE

- 2,3,4,5,6 [51,76,102,127,152]
- 2,3,4,6 [51,76,102,152]
- 2,3,4,5,6 [51,76,102,127,152]
- 2,3,4,5,6 [51,76,102,127,152]
- 2,3,4 [51,76,102]

(Specify size/type) OUTLET

- _____ IC Inside Caulk
- _____ IG Inside Gasket
- _____ IP Threaded
- _____ NH No-Hub
- _____ NL Neo-Loc

'E' BODY HT. DIM.

- 5-1/4 [133]
- 5-1/4 [133]
- 3-3/4 [95]
- 5-1/4 [133]
- 4-5/8 [117]

PREFIXES

- _____ Z D.C.C.I. Body with Poly-Dome*
- _____ ZA D.C.C.I. Body with Aluminum Dome
- _____ ZC D.C.C.I. Body with Cast Iron Dome
- _____ ZRB D.C.C.I. Body with Plain Bronze Dome

SUFFIXES

- | | |
|---|--|
| _____ -BS Bronze Mesh Screen Over Dome | _____ -SD Longer Standpipe (Specify Height Required) |
| _____ -C Underdeck Clamp (Lower Body) | _____ -SS Stainless Steel Mesh Screen Over Dome |
| _____ -DP Top-Set® Deck Plate (Replaces both the -C and -R) | _____ -VP Vandal-Proof Secured Top |
| _____ -DX Dex-o-tex Flange (Upper Body) | _____ -W2 2 [51] Internal Water Dam |
| _____ -FG Flush Grate (Replaces Dome Strainer) | _____ -W3 3 [76] Internal Water Dam |
| _____ -G Galvanized Cast Iron | _____ -W4 4 [102] Internal Water Dam |
| _____ -LH Less Weep Holes in Clamp Collar | _____ -89 2 [51] High External Water Dam |
| _____ -R Sump Receiver (Lower Body) | |

* Regularly furnished unless otherwise specified.