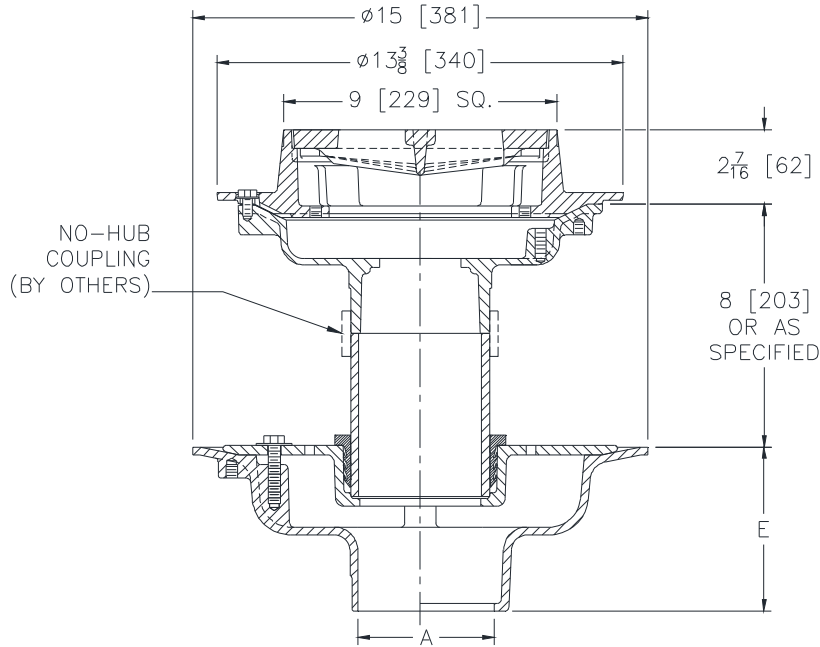




Z624-131

ISOLATION DECK DRAIN W/ Z609 SQUARE TOP DRAIN

Dimensional Data (inches and [mm]) are Subject to Manufacturing Tolerances and Change Without Notice



| A- Pipe Size In. | Approx. Wt. Lbs. [kg] | Grate Open Area Sq. In. [cm ²] |
|-------------------|-----------------------|--|
| 2,3,4 [51,76,102] | 64 [29] | 14 [90] |
| 6 [152] | | |
| 8 [203] | | |

ENGINEERING SPECIFICATION: ZURN Z624-131

Floating slab drain, Dura-Coated cast iron upper and lower bodies. Lower body with clamp collar, seepage holes, neoprene flex gasket and isolation nipple screwed into upper body. Upper body Z609 drain with seepage pan, heavy duty cast iron anti-tilt slotted grate and combination membrane flashing clamp and frame.

OPTIONS (Check/specify appropriate options)

PIPE SIZE

- 3, 4, 6 [76,102,152]
- 2, 3, 4, 6, 8 [51,76, 102, 152, 203]
- 2, 3, 4, 6, 8 [51,76, 102, 152, 203]
- 2, 3, 4 [51,76,102]
- 6 [152]

(Specify size/type) **OUTLET**

- _____ IC Inside Caulk
- _____ IP Threaded
- _____ NH No-Hub
- _____ NL Neo-Loc
- _____ NL Neo-Loc

E BODY HT. DIM.

- 5-1/4 [133]
- 3-3/4 [95]
- 5-1/4 [133]
- 4-9/16 [116]
- 5-7/16 [112]

PREFIXES

- _____ Z D.C.C.I. Body and Grate*
- _____ ZB D.C.C.I Body w/ Polished Bronze Top (Add 3/4 [19] to 9 [229] Dim. & 3/16 [5] TO 2-7/16 [62] Dim.)
- _____ ZN D.C.C.I Body w/ Polished Nickel Bronze Top (Add 3/4 [19] to 9 [229] Dim. & 3/16 [5] TO 2-7/16 [62] Dim.)

SUFFIXES

- _____ -AR Acid Resistant Epoxy Coated Finish
- _____ -C Underdeck Clamp (Lower Body)
- _____ -DG Duresist Grate
- _____ -G Galvanized Cast Iron
- _____ -GG Galvanized Grate
- _____ -H Hinged Grate
- _____ -HL Hinged Locking Grate
- _____ -P Trap Primer Connection
- _____ -R Sump Receiver (Lower Body)
- _____ -SC Solid Cover
- _____ -Y Sediment Bucket

* Regularly furnished unless otherwise specified.