

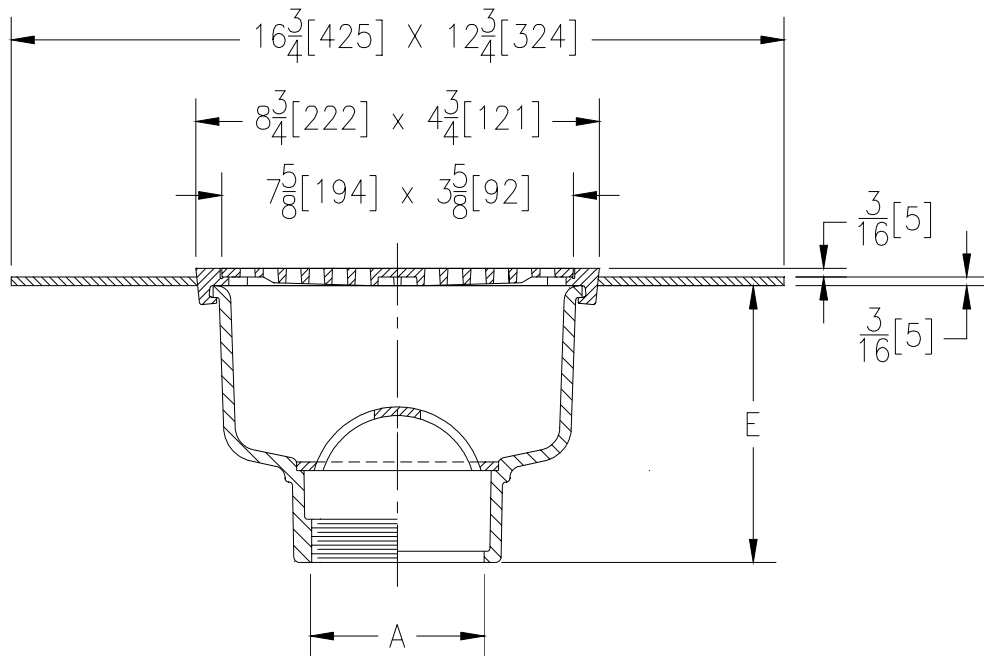


**ZN-1930-79**  
**8" X 4" A.R.C. SANI-FLOR RECEPTOR 4" SUMP**  
**DEPTH WITH DEX-O-TEX FLANGE**

SPECIFICATION SHEET

TAG \_\_\_\_\_

Dimensional Data (inches and [ mm ]) are Subject to Manufacturing Tolerances and Change Without Notice



A- Pipe Size In.	Approx Wt. Lbs. [kg]	Grate Open Area Sq. In. [cm <sup>2</sup> ]
2-3- [50-75]	15 [7]	7 1/2 [48]

**ENGINEERING SPECIFICATION:** ZURN ZN-1930-79 Sani-Flor Receptor 8 x 4 x 4 [203 x 102 x 102] deep cast iron body with nickel bronze frame with Dex-o-tex flange, and full grate, white acid resisting porcelain enamel interior and top, complete with aluminum anti-splash interior bottom dome strainer.

**OPTIONS** (Check/specify appropriate options)

PIPE SIZE	(Specify size/type)	OUTLET	'E' BODY HT. DIMENSION
			ZN
2, 3 [50, 75]	_____	IC Inside Caulk	6 3/8 [162]
2, 3 [50, 75]	_____	IP Threaded	6 3/8 [162]

**PREFIXES**

\_\_\_\_\_ ZN- Cast Iron Body with White A.R.C. Interior, 8 3/4 x 4 3/4 [222 x 121] N.B. Frame and Full Grate with 1/4 [6] Square Openings\*

**SUFFIXES**

_____ -K	Seepage Flange With Seepage Holes	_____ -15	Solid Loose Set Cover
_____ -KC	Flange w/ Seepage Holes w/ Clamping Collar	_____ -16	1/2 Solid Loose Set Cover
_____ -LD	(Less) Internal Bottom Dome Strainer (See Z-1023)	_____ -23	Aluminum Bucket
_____ -P	1/2 [13] Trap Primer Connection	_____ -25	White A.R.E. Bucket
_____ -S	Secondary Strainer	_____ -31	Stainless Steel Mesh Liner for Bucket
_____ -1	(Less Grate)	_____ -33	White A.R.E. Anti-Splash Bottom Dome Strainer
_____ -2	1/2 Grate		
_____ -3	3/4 Grate		
_____ -4	Full Grate w/2 [51] Square Center Opening		
_____ -5	Grate w/4 [102] dia. x 3 3/4 [95] High Funnel		
_____ -6	Grate w/6 dia x 6 [152 x 152] High Funnel		
_____ -7	Grate w/6 3/4 x 3 x 1 [171 x 76 x 25] High Oval Funnel		
_____ -8	Grate w/8 7/8 x 3 5/8 x 3 3/4 [225 x 92 x 95] High Oval Funnel		

\*REGULARLY FURNISHED UNLESS OTHERWISE SPECIFIED

**REV. A      DATE: 3/19/98      C.N. NO. 80056**

**DWG. NO. P-14593      PRODUCT NO. ZN-1930-79**

ZURN INDUSTRIES, INC. ♦ SPECIFICATION DRAINAGE OPERATION ♦ 1801 Pittsburgh Ave. ♦ Erie, PA 16514

Phone: 814455-0921 ♦ Fax: 814454-7929 ♦ World Wide Web: www.zurn.com

In Canada: ZURN INDUSTRIES LIMITED ♦ 3544 Nashua Drive ♦ Mississauga, Ontario L4V1L2 ♦ Phone: 905405-8272 Fax: 905405-1292