



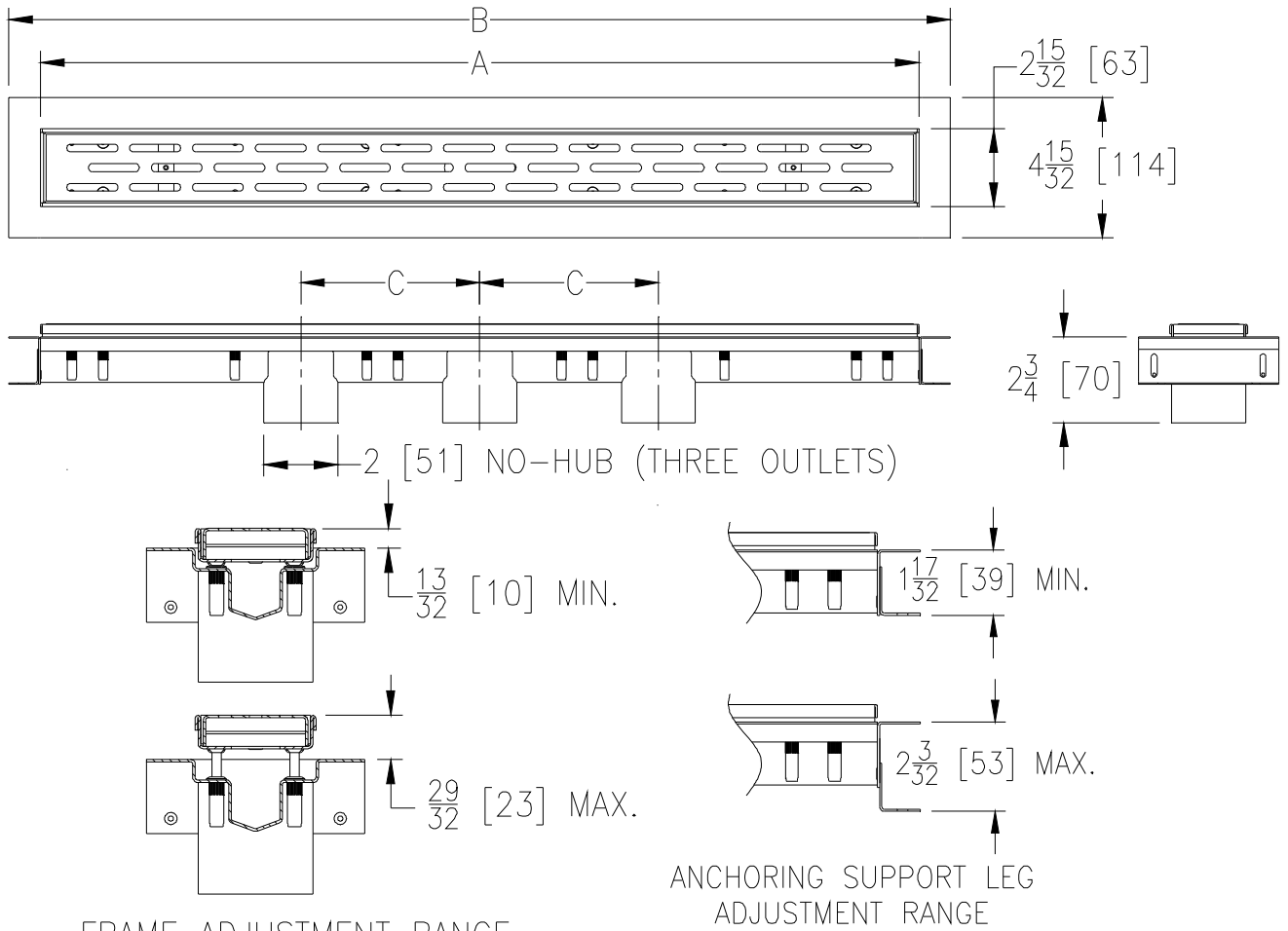
ZS880-3

STAINLESS STEEL LINEAR SHOWER DRAIN W/THREE BOTTOM OUTLETS

SPECIFICATION SHEET

TAG _____

Dimensional Data (inches and [mm]) are Subject to Manufacturing Tolerances and Change Without Notice



FRAME ADJUSTMENT RANGE

ANCHORING SUPPORT LEG ADJUSTMENT RANGE

Product Designation	Dimensions In Inches			Approx. Wt. Lbs. [kg]	Grate Open Area Sq. In. [cm ²]
	A	B	C		
-28	28 [711]	30 [762]	5-3/4 [146]	5.4 [2.5]	15 [97]
-32	32 [813]	34 [864]	6-1/2 [165]	5.9 [2.7]	18 [116]
-36	36 [914]	38 [965]	7-5/16 [186]	6.4 [2.9]	20 [129]
-40	40 [1016]	42 [1069]	10-27/32 [275]	7.2 [3.3]	22 [142]
-48	48 [1219]	50 [1270]	13-5/32 [334]	8.4 [3.8]	27 [174]
-60	60 [1524]	62 [1575]	13-3/8 [340]	10.3 [4.7]	34 [219]

ENGINEERING SPECIFICATION: ZS880-3
 All Type 304 (CF8) Fabricated Stainless Steel Linear Shower Drain. Complete with vertically adjustable anchoring support legs, anti-ponding V-shaped channel with three 2 [51] No-Hub bottom outlets, adjustable secured leveling frame with built-in tile edge, and secured, light-duty, slotted heel-proof grate. Drain is designed for installation in a minimum 2 [51] concrete pour and can be adjusted to accommodate 1/4 [6] and 3/8 [10] finished tile thicknesses.

OPTIONS (Check/specify appropriate options)

PREFIXES

- ___ ZS All Type 304 (CF8) Stainless Steel*
- ___ ZR All Type 304 (CF8) Stainless Steel w/ Oil-Rubbed Bronze Finish

SUFFIXES

- ___ -FS Outlet Filter Screen

GRATE OPTIONS

- ___ -BW Basket Weave Grate
- ___ -DB Decorative Block Grate
- ___ -SG Serenity Grate
- ___ -TG Tile In-Lay Grate
- ___ -WG Wave Grate

PATENT PENDING

REV. A	DATE: 11/19/12	C.N. NO. 128488
DWG. NO. 309521	PRODUCT NO. ZS880-3	

*REGULARLY FURNISHED UNLESS OTHERWISE SPECIFIED