



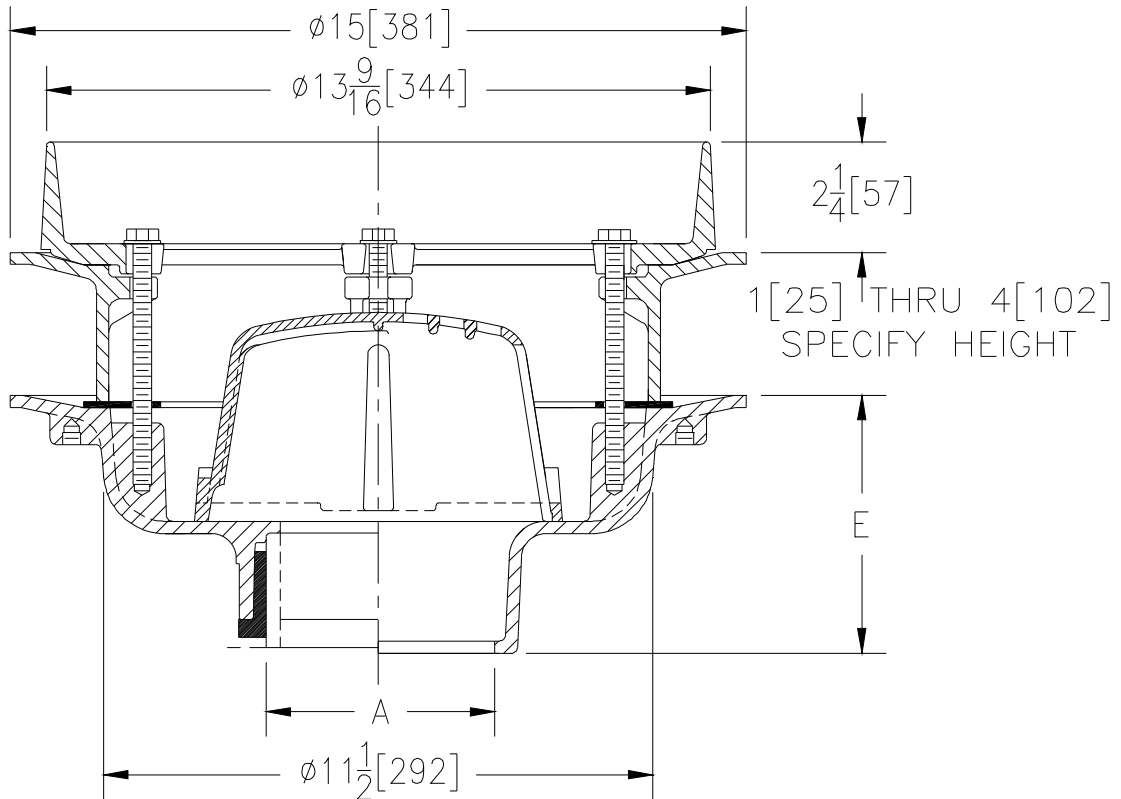
Z108-E

15 [381] DIAMETER DECK RECEPTOR W/ STATIC EXTENSION

SPECIFICATION SHEET

TAG _____

Dimensional Data (inches and [mm]) are Subject to Manufacturing Tolerances and Change Without Notice



| A Pipe Size in [mm] | Approx Wt. lbs [kg] | Dome Open Area in ² [cm ²] |
|---------------------------|---------------------------|---|
| 2,3,4 [51,76,102] | 41 [19] | 53 [342] |
| 6 [152] | 39 [18] | |
| 8 [203] | 42 [19] | |

ENGINEERING SPECIFICATION: ZURNZ108-E

15" [381mm] Diameter roof drain, Dura-Coated cast iron body with combination membrane flashing clamp/deck receptor frame, static extension and internal bottom dome strainer.

OPTIONS (Check/specify appropriate options)

PIPE SIZE

- 3,4,6 [76,102,152]
- 2,3,4,6, 8 [51,76,102,152,203]
- 2,3,4,6, 8 [51,76,102,152,203]
- 2,3,4 [51,76,102]

(Specify size/type) **OUTLET**

- _____ IC Inside Caulk
- _____ IP Threaded
- _____ NH No-Hub
- _____ NL Neo-Loc

E BODY HT. DIM.

- 5-1/4 [133]
- 3-3/4 [95]
- 5-1/4 [133]
- 4-5/8 [117]

PREFIXES

- _____ Z D.C.C.I. Body with Collar*

SUFFIXES

- | | |
|--|---|
| _____ -AR Acid Resistant Epoxy Coated | _____ -FG Flush Grate (Replaces Dome Strainer) |
| _____ -C Underdeck Clamp | _____ -G Galvanized Cast Iron |
| _____ -DE Deck Extension (Includes Deck Plate -DP) | _____ -HD 6-3/4 [171] High Aluminum Dome (148 sq. in. [955 cm ²] open area) |
| _____ -DP Top-Set® Roof Deck Plate (Replaces both -C and -R) | _____ -R Roof Sump Receiver |
| _____ -EA Adjustable Extension Assembly 2-1/8 [54] thru 3-1/2 [89] | _____ -TC Neo-Loc Test Cap Gasket (2,3,4 [51,76,102] NL Outlet Only) |

* Regularly furnished unless otherwise specified.